

# SHARP®

# PN-E471 PN-E421

LCD MONITOR  
MONITEUR LCD  
MONITOR LCD  
LCD FARBMONITOR  
ЖК МОНИТОР

OPERATION MANUAL  
MODE D'EMPLOI  
MANUAL DE INSTRUCCIONES  
BEDIENUNGSANLEITUNG  
РУКОВОДСТВО ПО ЭКСПЛУАТАЦИИ

香港電器安全規格  
(國際電工委員會規格適合)

**HDMI™**  
HIGH-DEFINITION MULTIMEDIA INTERFACE

ENGLISH ..... E1  
FRANÇAIS .... F1  
ESPAÑOL .... S1  
DEUTSCH .... D1  
РУССКИЙ..... P1

(الدليل باللغة العربية يوجد في أسطوانة CD-ROM المرفقة.)

ENGLISH

FRANÇAIS

ESPAÑOL

DEUTSCH

РУССКИЙ

**IMPORTANT:**

To aid reporting in case of loss or theft, please record the product's model and serial numbers in the space provided. The numbers are located in the rear of the product.

Model No.:

Serial No.:

U.S.A. ONLY

**FOR CUSTOMERS IN U.K.**

**IMPORTANT**

The wires in this mains lead are coloured in accordance with the following code:

<b>GREEN-AND-YELLOW:</b>	<b>Earth</b>
<b>BLUE:</b>	<b>Neutral</b>
<b>BROWN:</b>	<b>Live</b>

As the colours of the wires in the mains lead of this apparatus may not correspond with the coloured markings identifying the terminals in your plug proceed as follows:

- The wire which is coloured GREEN-AND-YELLOW must be connected to the terminal in the plug which is marked by the letter **E** or by the safety earth  $\perp$  or coloured green or green-and-yellow.
- The wire which is coloured BLUE must be connected to the terminal which is marked with the letter **N** or coloured black.
- The wire which is coloured BROWN must be connected to the terminal which is marked with the letter **L** or coloured red.

Ensure that your equipment is connected correctly. If you are in any doubt consult a qualified electrician.

**“WARNING: THIS APPARATUS MUST BE EARTHED.”**



Products that have earned the ENERGY STAR® are designed to protect the environment through superior energy efficiency.

Les produits labellisés ENERGY STAR® sont conçus pour protéger l'environnement par un rendement énergétique supérieur.

Los Productos que han conseguido el ENERGY STAR® están diseñados para proteger el medio ambiente a través de una mejor eficiencia en el consumo de energía.

Mit dem ENERGY STAR® ausgezeichnete Produkte zeichnen sich durch ein besonders energiesparendes Design aus und schützen die Umwelt.

Изделия, отмеченные знаком ENERGY STAR®, разработаны с учетом мер по охране окружающей среды отличаются максимальной эффективностью энергопотребления.

Authorised representative responsible for the European Union Community Market  
Représentant autorisé pour le marché de la communauté européenne  
Representante autorizado responsable del mercado comunitario de la Unión Europea  
Autorisierter Repräsentant in der Europäischen Union

**SHARP ELECTRONICS (Europe) GmbH**  
Sonninstraße 3, D-20097 Hamburg



PN-E471  
PN-E421

# LCD MONITOR

## ENGLISH

### IMPORTANT INFORMATION

**WARNING:** TO REDUCE THE RISK OF FIRE OR ELECTRIC SHOCK, DO NOT EXPOSE THIS PRODUCT TO RAIN OR MOISTURE.

	<p><b>CAUTION</b></p> <p>RISK OF ELECTRIC SHOCK DO NOT OPEN</p>	
<p>CAUTION: TO REDUCE THE RISK OF ELECTRIC SHOCK, DO NOT REMOVE COVER. NO USER-SERVICEABLE PARTS INSIDE. REFER SERVICING TO QUALIFIED SERVICE PERSONNEL.</p>		



The lightning flash with arrowhead symbol, within an equilateral triangle, is intended to alert the user to the presence of uninsulated "dangerous voltage" within the product's enclosure that may be of sufficient magnitude to constitute a risk of electric shock to persons.



The exclamation point within a triangle is intended to alert the user to the presence of important operating and maintenance (servicing) instructions in the literature accompanying the product.

**CAUTION:** The AC outlet shall be installed near the equipment and shall be easily accessible.

**CAUTION:** Use the supplied power cord as it is.

This product utilizes fluorescent tubes containing a small amount of mercury. Disposal of these materials may be regulated due to environmental considerations. For disposal or recycling information, please contact your local authorities.

# IMPORTANT INFORMATION (Continued)

## WARNING:

FCC Regulations state that any unauthorized changes or modifications to this equipment not expressly approved by the manufacturer could void the user's authority to operate this equipment.

## NOTE:

This equipment has been tested and found to comply with the limits for Class A digital device, pursuant to Part 15 of the FCC Rules. These limits are designed to provide reasonable protection against harmful interference when the equipment is operated in a commercial environment. This equipment generates, uses, and can radiate radio frequency energy and, if not installed and used in accordance with the instruction manual, may cause harmful interference to radio communications. Operation of this equipment in a residential area is likely to cause harmful interference in which case the user will be required to correct the interference at his own expense.

This product utilizes tin-lead solder, and fluorescent lamp containing a small amount of mercury. Disposal of these materials may be regulated due to environmental considerations.

For disposal or recycling information, please contact your local authorities, the Electronics Industries Alliance: [www.eiae.org](http://www.eiae.org), the lamp recycling organization: [www.lamprecycle.org](http://www.lamprecycle.org) or Sharp at 1-800-BE-SHARP (For U.S.A. Only)

This product contains a CR Coin Lithium Battery which contains Perchlorate Material – special handling may apply, California residents, See [www.dtsc.ca.gov/hazardouswaste/perchlorate/](http://www.dtsc.ca.gov/hazardouswaste/perchlorate/)

U.S.A. ONLY



**Attention:** Your product is marked with this symbol. It means that used electrical and electronic products should not be mixed with general household waste. There is a separate collection system for these products.

## A. Information on Disposal for Users (private households)

### 1. In the European Union

Attention: If you want to dispose of this equipment, please do not use the ordinary dustbin!

Used electrical and electronic equipment must be treated separately and in accordance with legislation that requires proper treatment, recovery and recycling of used electrical and electronic equipment.

Following the implementation by member states, private households within the EU states may return their used electrical and electronic equipment to designated collection facilities free of charge\*. In some countries\* your local retailer may also take back your old product free of charge if you purchase a similar new one.

\*) Please contact your local authority for further details.

If your used electrical or electronic equipment has batteries or accumulators, please dispose of these separately beforehand according to local requirements.

By disposing of this product correctly you will help ensure that the waste undergoes the necessary treatment, recovery and recycling and thus prevent potential negative effects on the environment and human health which could otherwise arise due to inappropriate waste handling.

### 2. In other Countries outside the EU

If you wish to discard this product, please contact your local authorities and ask for the correct method of disposal.

For Switzerland: Used electrical or electronic equipment can be returned free of charge to the dealer, even if you don't purchase a new product. Further collection facilities are listed on the homepage of [www.swico.ch](http://www.swico.ch) or [www.sens.ch](http://www.sens.ch).

## B. Information on Disposal for Business Users

### 1. In the European Union

If the product is used for business purposes and you want to discard it:

Please contact your SHARP dealer who will inform you about the take-back of the product. You might be charged for the costs arising from take-back and recycling. Small products (and small amounts) might be taken back by your local collection facilities.

For Spain: Please contact the established collection system or your local authority for take-back of your used products.

### 2. In other Countries outside the EU

If you wish to discard of this product, please contact your local authorities and ask for the correct method of disposal.

# IMPORTANT INFORMATION (Continued)



The battery supplied with this product contains traces of Lead.

For EU:

The crossed-out wheeled bin implies that used batteries should not be put to the general household waste! There is a separate collection system for used batteries, to allow proper treatment and recycling in accordance with legislation. Please contact your local authority for details on the collection and recycling schemes.

For Switzerland:

The used battery is to be returned to the selling point.

For other non-EU countries:

Please contact your local authority for correct method of disposal of the used battery.

## "BATTERY DISPOSAL"

THIS PRODUCT CONTAINS A LITHIUM PRIMARY (MANGANESE DIOXIDE) MEMORY BACK-UP BATTERY THAT MUST BE DISPOSED OF PROPERLY. PLEASE CONTACT YOUR LOCAL SHARP DEALER OR AUTHORIZED SERVICE REPRESENTATIVE FOR ASSISTANCE IN DISPOSING OF THIS BATTERY.

U.S.A. AND CANADA ONLY

## DEAR SHARP CUSTOMER

Thank you for your purchase of a SHARP LCD product. To ensure safety and many years of trouble-free operation of your product, please read the Safety Precautions carefully before using this product.

## SAFETY PRECAUTIONS

Electricity is used to perform many useful functions, but it can also cause personal injuries and property damage if improperly handled. This product has been engineered and manufactured with the highest priority on safety. However, improper use can result in electric shock and/or fire. In order to prevent potential danger, please observe the following instructions when installing, operating and cleaning the product. To ensure your safety and prolong the service life of your LCD product, please read the following precautions carefully before using the product.

1. Read instructions — All operating instructions must be read and understood before the product is operated.
2. Keep this manual in a safe place — These safety and operating instructions must be kept in a safe place for future reference.
3. Observe warnings — All warnings on the product and in the instructions must be observed closely.
4. Follow instructions — All operating instructions must be followed.
5. Cleaning — Unplug the power cord from the AC outlet before cleaning the product. Use a dry cloth to clean the product. Do not use liquid cleaners or aerosol cleaners.
6. Attachments — Do not use attachments not recommended by the manufacturer. Use of inadequate attachments can result in accidents.
7. Water and moisture — Do not use the product near water. Do not install the product in a place where water may splash onto it. Be careful of equipment which drains water such as an air-conditioner.
8. Ventilation — The vents and other openings in the cabinet are designed for ventilation. Do not cover or block these vents and openings since insufficient ventilation can cause overheating and/or shorten the life of the product. Do not place the product on a sofa, rug or other similar surface, since they can block ventilation openings. Do not place the product in an enclosed place such as a bookcase or rack, unless proper ventilation is provided or the manufacturer's instructions are followed.
9. Power cord protection — The power cords must be routed properly to prevent people from stepping on them or objects from resting on them.
10. The LCD panel used in this product is made of glass. Therefore, it can break when the product is dropped or applied with impact. Be careful not to be injured by broken glass pieces in case the LCD panel breaks.
11. Overloading — Do not overload AC outlets or extension cords. Overloading can cause fire or electric shock.
12. Entering of objects and liquids — Never insert an object into the product through vents or openings. High voltage flows in the product, and inserting an object can cause electric shock and/or short internal parts. For the same reason, do not spill water or liquid on the product.
13. Servicing — Do not attempt to service the product yourself. Removing covers can expose you to high voltage and other dangerous conditions. Request a qualified service person to perform servicing.

# SAFETY PRECAUTIONS (Continued)

14. Repair — If any of the following conditions occurs, unplug the power cord from the AC outlet, and request a qualified service person to perform repairs.
  - a. When the power cord or plug is damaged.
  - b. When a liquid was spilled on the product or when objects have fallen into the product.
  - c. When the product has been exposed to rain or water.
  - d. When the product does not operate properly as described in the operating instructions.

Do not touch the controls other than those described in the operating instructions. Improper adjustment of controls not described in the instructions can cause damage, which often requires extensive adjustment work by a qualified technician.
  - e. When the product has been dropped or damaged.
  - f. When the product displays an abnormal condition. Any noticeable abnormality in the product indicates that the product needs servicing.
15. Replacement parts — In case the product needs replacement parts, make sure that the service person uses replacement parts specified by the manufacturer, or those with the same characteristics and performance as the original parts. Use of unauthorized parts can result in fire, electric shock and/or other danger.
16. Safety checks — Upon completion of service or repair work, request the service technician to perform safety checks to ensure that the product is in proper operating condition.
17. Wall mounting — When mounting the product on a wall, be sure to install the product according to the method recommended by the manufacturer.
18. Heat sources — Keep the product away from heat sources such as radiators, heaters, stoves and other heat-generating products (including amplifiers).
19. Batteries — Incorrect use of batteries may cause the batteries to burst or ignite. A leaky battery may corrode the equipment, dirty your hands or spoil your clothing. In order to avoid these problems, make sure to observe the precautions below:
  - Use the specified batteries only.
  - Install the batteries with due attention to the plus (+) and minus (-) sides of the batteries according to the instructions in the compartment.
  - Do not mix old and new batteries.
  - Do not mix batteries of different types. Voltage specifications of batteries of the same shape may vary.
  - Replace an exhausted battery with a new one promptly.
  - If you will not use the remote control for a long time, remove the batteries.
  - If leaked battery fluid gets on your skin or clothing, rinse immediately and thoroughly. If it gets into your eye, bathe your eye well rather than rubbing and seek medical treatment immediately. Leaked battery fluid that gets into your eye or your clothing may cause a skin irritation or damage your eye.
20. Usage of the monitor must not be accompanied by fatal risks or dangers that, could lead directly to death, personal injury, severe physical damage or other loss, including nuclear reaction control in nuclear facility, medical life support system, and missile launch control in a weapon system.
21. Do not stay in contact with the parts of the product that become hot for long periods of time. Doing so may result in low-temperature burns.

## **WARNING:**

This is a class A product. In a domestic environment this product may cause radio interference in which case the user may be required to take adequate counter measures.

To maintain compliance with EMC regulations, use shielded cables to connect to the following terminals: PC/AV DVI-D output terminal, PC/AV DVI-D input terminal, PC/AV HDMI input terminal, PC D-SUB input terminal, PC RGB input terminals, and RS-232C input/output terminals.

If a monitor is not positioned in a sufficiently stable location, it can be potentially hazardous due to falling. Many injuries, particularly to children, can be avoided by taking simple precautions such as:

- Using fixing devices like wall mount brackets recommended by the manufacturer.
- Only using furniture that can safely support the monitor.
- Ensuring the monitor is not overhanging the edge of the supporting furniture.
- Not placing the monitor on tall furniture (for example, cupboards or bookcases) without anchoring both the furniture and the monitor to a suitable support.
- Not standing the monitors on cloth or other materials placed between the monitor and supporting furniture.
- Educating children about the dangers of climbing on furniture to reach the monitor or its controls.

## **Especially for child safety**

- Don't allow children to climb on or play with the monitor.
- Don't place the monitor on furniture that can easily be used as steps, such as a chest of drawers.
- Remember that children can become excited while watching a program, especially on a "larger than life" monitor. Care should be taken to place or install the monitor where it cannot be pushed, pulled over, or knocked down.
- Care should be taken to route all cords and cables connected to the monitor so that they cannot be pulled or grabbed by curious children.

# TIPS AND SAFETY INSTRUCTIONS

- The TFT color LCD panel used in this monitor is made with the application of high precision technology. However, there may be minute points on the screen where pixels never light or are permanently lit. Also, if the screen is viewed from an acute angle there may be uneven colors or brightness. Please note that these are not malfunctions but common phenomena of LCDs and will not affect the performance of the monitor.
- Do not display a still picture for a long period, as this could cause a residual image.
- Never rub or tap the monitor with hard objects.
- Please understand that SHARP CORPORATION bears no responsibility for errors made during use by the customer or a third party, nor for any other malfunctions or damage to this product arising during use, except where indemnity liability is recognized under law.
- This monitor and its accessories may be upgraded without advance notice.
- Do not use the monitor where there is a lot of dust, where humidity is high, or where the monitor may come into contact with oil or steam, as this could lead to fire.
- Ensure that the monitor does not come into contact with water or other fluids. Ensure that no objects such as paper clips or pins enter the monitor as this could lead to fire or electric shock.
- Do not place the monitor on top of unstable objects or in unsafe places. Do not allow the monitor to receive strong shocks or to strongly vibrate. Causing the monitor to fall or topple over may damage it.
- Do not use the monitor near heating equipment or in places where there is likelihood of high temperature, as this may lead to generation of excessive heat and outbreak of fire.
- Images cannot be rotated on this monitor.  
When using in vertical orientation, you will need to prepare appropriately orientated content in advance.  
(PN-E471 cannot be used in vertical orientation.)

## The Power Cord

- Do not damage the power cord nor place heavy objects on it, stretch it or over bend it. Also, do not add extension cords. Damage to the cord may result in fire or electric shock.
- Use only the power cord supplied with the monitor.
- Do not use the power cord with a power tap. Adding an extension cord may lead to fire as a result of overheating.
- Do not remove or insert the power plug with wet hands. Doing so could result in electric shock.
- Unplug the power cord if it is not used for a long time.
- Do not attempt to repair the power cord if it is broken or malfunctioning. Refer the servicing to the service representative.

## Manual Scope

- Microsoft, Windows and Internet Explorer are registered trademarks of Microsoft Corporation.
- HDMI, the HDMI Logo and High-Definition Multimedia Interface are trademarks or registered trademarks of HDMI Licensing LLC.
- Adobe, Acrobat, and Reader are either registered trademarks or trademarks of Adobe Systems Incorporated in the United States and/or other countries.
- This product comes with RICOH Bitmap Fonts produced and sold by RICOH COMPANY, LTD.
- All other brand and product names are trademarks or registered trademarks of their respective holders.
- Language of OSD menu used in this manual is English by way of example.
- Illustrations in this manual may not exactly represent the actual product or display.
- This manual assumes use in horizontal orientation, except where specifically noted.

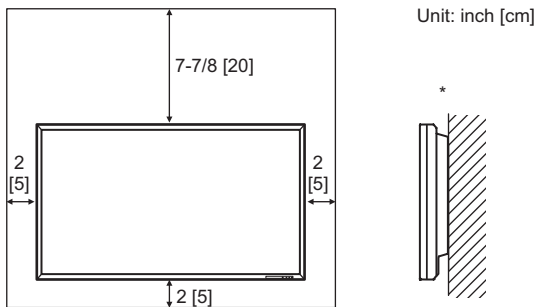
## Fluorescent Tubes

- The fluorescent tubes in this product have a limited lifetime.
  - \* If the screen gets dark, flashes or does not turn on, it may be necessary to replace the fluorescent tubes. These fluorescent tubes are exclusive to this product and must be replaced by an authorized Sharp servicing dealer or service center.
  - \* Please contact your local Sharp servicing dealer or service center for assistance.
- Because of the property of fluorescent tubes, the screen may flash during the initial period of use. If this happens, please turn off the main power switch of the monitor and turn on again after at least 5 seconds to confirm operation.

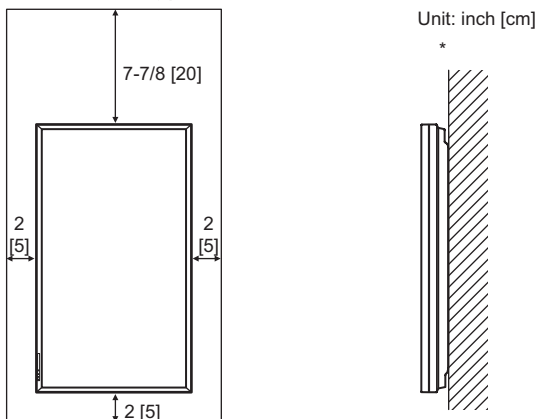
# MOUNTING PRECAUTIONS

- Since the monitor is heavy, consult your dealer before installing, removing or moving the monitor.
- When installing, removing or moving the monitor, ensure that this is carried out by at least 2 people.
- A mounting bracket compliant with VESA specifications is required. Do not use any screw holes other than VESA holes for installation.
- When moving the monitor, be sure to hold it with the handles both on the rear and the unit bottom. Do not hold the LCD panel. This may cause product damage, failure, or injury.
- Install the monitor with the surface perpendicular to a level surface. If necessary, the monitor may be tilted up to 20 degrees upward or downward.
- Mounting the monitor on the wall requires special expertise and the work must be performed by an authorized SHARP dealer. You should never attempt to perform any of this work yourself. Our company will bear no responsibility for accidents or injuries caused by improper mounting or mishandling.
- This monitor should be used at an ambient temperature between 32°F (0°C) and 104°F (40°C). Provide enough space around the monitor to prevent heat from accumulating inside.

## For the monitor in horizontal orientation

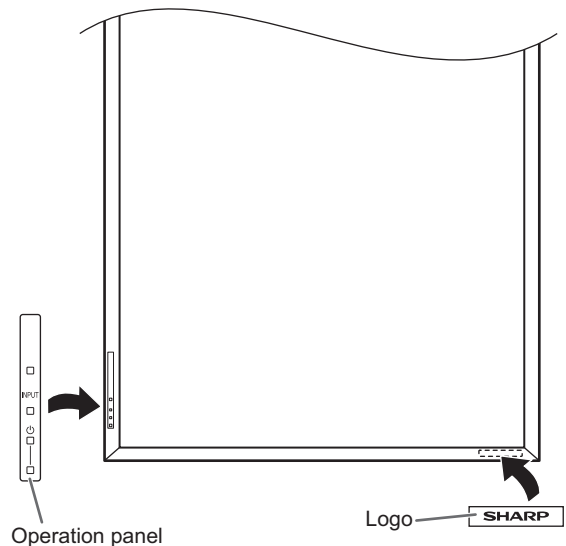


## For the monitor in vertical orientation (for PN-E421 only)



\* This monitor can be installed close to a wall. However, as the monitor emits heat during operation, please be aware that this heat may discolor or alter the wall.

- If it is difficult to provide sufficient space for any reason such as the installation of the monitor inside a housing, or if the ambient temperature may be outside of the range of 32°F (0°C) to 104°F (40°C), install a fan or take other measures to keep the ambient temperature within the required range.
- Temperature condition may change when using the display together with the optional equipments recommended by SHARP. In such cases, please check the temperature condition specified by the optional equipments.
- PN-E471 cannot be used in vertical orientation.
- Adhere to the following when installing the monitor in its vertical orientation. Failing to adhere to the following may cause malfunctions. (for PN-E421 only)
  - Install the monitor such that the power LED is located on the downside.
  - Set the MONITOR on the SETUP menu to PORTRAIT. (See Operation guide.)
- Do not block any ventilation openings. If the temperature inside the monitor rises, this could lead to a malfunction.
- After mounting, please carefully ensure the monitor is secure, and not able to come loose from the wall or mount.
- Do not place the monitor on a device which generates heat.
- Use the supplied vertical sticker when you install the monitor in vertical orientation. (for PN-E421 only)



Do not remove the factory-affixed sticker but affix the logo sticker over it. Be careful not to cover the remote control sensor or buttons.

- Be sure to use a wall-mount bracket designed or designated for mounting the monitor.
- This monitor is designed to be installed on a concrete wall or pillar. Reinforced work might be necessary for some materials such as plaster / thin plastic board / wood before starting installation. This monitor and bracket must be installed on a wall which can endure at least 4 times or more the weight of the monitor. Install by the most suitable method for the material and the structure.
- When attaching an optional part, follow the steps described in the manual for the optional part.
- For use only with UL Listed Wall Mount Brackets with minimum weight/load: PN-E471: 102 kg. (224.9 lbs.), PN-E421: 88 kg. (194.0 lbs.).



# Contents

<b>IMPORTANT INFORMATION</b> .....	1	<b>Removing the Handles</b> .....	10
<b>DEAR SHARP CUSTOMER</b> .....	3	<b>Affixing the Stand Hole Protection Covers</b> .....	11
<b>SAFETY PRECAUTIONS</b> .....	3	<b>Preparing the Remote Control Unit</b> .....	11
<b>TIPS AND SAFETY INSTRUCTIONS</b> .....	5	Installing the batteries .....	11
<b>MOUNTING PRECAUTIONS</b> .....	6	Remote control operation range.....	11
<b>Supplied Components</b> .....	7	<b>Turning Power On/Off</b> .....	12
<b>Connecting Peripheral Equipment</b> .....	8	Turning on the main power.....	12
Connection with a PC or AV equipment .....	8	Turning power on/off .....	12
Connection when the PN-ZB01 (optional)		Disabling power on/off operations.....	12
is attached.....	9		
<b>Connecting the Power Cord</b> .....	10		
<b>Binding Cables</b> .....	10		

This manual contains instructions regarding connection and installation.  
For other instructions, refer to the instruction manuals in the "manual" folder on the included CD-ROM.  
Adobe Reader is required in order to view the instruction manuals.

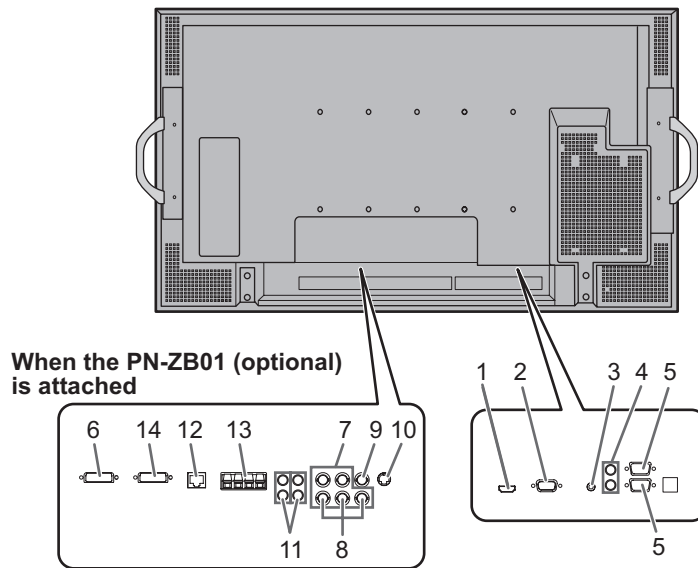
## Supplied Components

If any component should be missing, please contact your dealer.

- Liquid Crystal Display Monitor: 1
  - Remote control unit: 1
  - Cable clamp: 2
  - Power cord
  - R-03 battery ("AAA" size): 2
  - CD-ROM (Utility Disk for Windows): 1
  - Operation manual: 1
  - Stand hole protection cover: 2
  - Vertical sticker (Operation panel): 1 (for PN-E421 only)
  - Vertical sticker (Logo): 1 (for PN-E421 only)
  - Blank sticker: 1
- Place a blank sticker onto the SHARP logo to cover the logo.

- \* Sharp Corporation holds authorship rights to the Utility Disk program. Do not reproduce it without permission.
- \* For environmental protection!  
Do not dispose of batteries in household waste. Follow the disposal instructions for your area.

# Connecting Peripheral Equipment



## ! Caution

- Be sure to turn off the main power switch and disconnect the plug from the power outlet before connecting/ disconnecting cables. Also, read the manual of the equipment to be connected.
- Be careful not to confuse the input terminal with the output terminal when connecting cables. Accidentally reversing cables connected to the input and output terminals may cause malfunctions and the other problems.

## TIPS

- Images may not be displayed properly depending on the computer (video card) to be connected.
- A screen with 1920 x 1080 resolution may not be displayed correctly on PC RGB. In this case, check the settings of your computer (video card) to verify that input signals conform to specifications of this monitor. (See Operation guide.)
- If there is a check box to disable EDID in display control panel, check it when using PC RGB.
- Use the automatic screen adjustment when a PC screen is displayed for the first time using PC D-SUB or PC RGB, or when the setting of the PC is changed. The screen is adjusted automatically when SELF ADJUST in the OPTION menu is set to ON.
- If the audio output from the playback device is connected directly to speakers or other devices, the video on the monitor may appear delayed from the audio portion. Audio should be played through this monitor by connecting the playback device to the monitor's audio input, and connecting the monitor's audio output to the speakers or other devices.
- The audio input terminals used in each input mode are factory-set as follows.

Input mode	Audio input terminal (Factory setting)
PC D-SUB, PC DVI-D, PC RGB	Audio input terminal
AV DVI-D	Audio1 input terminal
AV COMPONENT, AV S-VIDEO, AV VIDEO	Audio2 input terminal
PC HDMI, AV HDMI	PC/AV HDMI input terminal

## Connection with a PC or AV equipment

### 1. PC/AV HDMI input terminal

- Use a commercially available HDMI cable (conforming to the HDMI standard) for PC/AV HDMI input terminal.
- Set HDMI of INPUT SELECT on the OPTION menu according to the device to be connected.
- Select the audio input terminal to be used in PC HDMI or AV HDMI of AUDIO SELECT on the OPTION menu. When HDMI is selected, connection to the audio input terminal is unnecessary.

### 2. PC D-sub input terminal

- When the PN-ZB01 (optional) is attached, select the audio input terminal to be used in PC D-SUB of AUDIO SELECT on the OPTION menu.

### 3. Audio input terminal

- Use an audio cable without resistance.
- When the PN-ZB01 (optional) is attached, set the audio input terminal used for each input mode in AUDIO SELECT on the OPTION menu.

### 4. Audio output terminals

- The output sound varies depending on the input mode.
- The volume of the output sound can be fixed by setting AUDIO OUTPUT on the OPTION menu.
- It is not possible to control the sound output from the audio output terminals with the AUDIO menu.

### 5. RS-232C input terminal RS-232C output terminal

- You can control the monitor from a PC by connecting a commercially available RS-232 straight cable between these terminals and the PC.

## Connection when the PN-ZB01 (optional) is attached

The PN-ZB01 expansion board (optional) allows the use of additional connection terminals.

### 6. PC/AV DVI-D input terminal

- Set DVI of INPUT SELECT on the OPTION menu according to the device to be connected.
- Select the audio input terminal to be used in PC DVI-D or AV DVI-D of AUDIO SELECT on the OPTION menu.

### 7. PC RGB input terminals

- Set BNC of INPUT SELECT on the OPTION menu to PC RGB when using the PC RGB input terminals.
- Select the audio input terminal to be used in PC RGB of AUDIO SELECT on the OPTION menu.

### 8. AV component input terminals

- Set BNC of INPUT SELECT on the OPTION menu to AV COMPONENT when using the AV component input terminals.
- Select the audio input terminal to be used in AV COMPONENT of AUDIO SELECT on the OPTION menu.

### 9. AV video input terminal

- Select the audio input terminal to be used in AV VIDEO of AUDIO SELECT on the OPTION menu.

### 10. AV S-video input terminal

- Select the audio input terminal to be used in AV S-VIDEO of AUDIO SELECT on the OPTION menu.

### 11. Audio1 input terminals / Audio2 input terminals

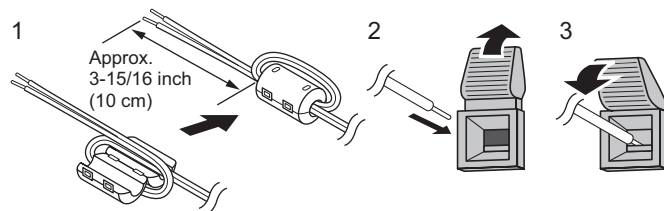
- Set the audio input terminal to be used in each input mode in AUDIO SELECT on the OPTION menu.

### 12. LAN terminal

- You can control the monitor from a PC on a network by connecting a commercially available LAN cable between this terminal and a network.

### 13. External speaker terminals

- To use external speakers, set SPEAKER SELECT on the SETUP menu to EXTERNAL.
- Be sure to use external speakers with an impedance of 6  $\Omega$  or greater and a rated input of at least 10 W.



1. Attach a speaker cable core (included with the PN-ZB01) to the end of the speaker cable connected to the monitor.
2. While pushing the tab, insert the tip of the cable.
3. Release the tab.

#### TIPS

- Be sure to connect the + and - terminals and the left and right speakers properly.
- Avoid short circuiting the + and - terminals.
- When SPEAKER SELECT is set to EXTERNAL, the internal speakers are disabled.

### 14. PC/AV DVI-D output terminal

- The video of the PC/AV DVI-D input can be output to an external device.
- Outputting HDCP-encrypted video requires an external device which supports HDCP.
- This terminal allows the daisy chain connection of up to 5 monitors.

#### TIPS

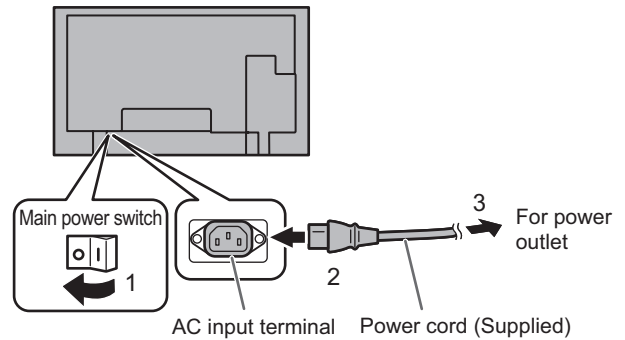
- The length of the signal cables or surrounding environment may affect the image quality.
- The screen may not display properly when using terminals other than PC DVI-D/AV DVI-D for the input mode. In this case, turn off the power to all the monitors connected in a daisy chain and then turn the power on again.
- When connecting monitors in a daisy chain set AUTO INPUT CHANGE to OFF.
- Video output is disabled in the following cases:  
When the input mode is PC HDMI/AV HDMI  
When PIP SOURCE of the PIP/PbyP menu is set to PC HDMI or AV HDMI  
When the power is turned off  
When the monitor is in input signal waiting mode

# Connecting the Power Cord

## ! Caution

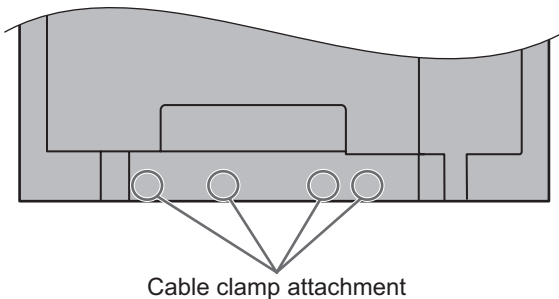
- Do not use a power cord other than the one supplied with the monitor.

1. Turn off the main power switch.
2. Plug the power cord (supplied) into the AC input terminal.
3. Plug the power cord (supplied) into the AC power outlet.

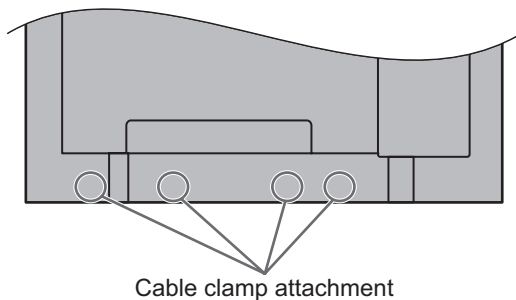


# Binding Cables

[PN-E471]

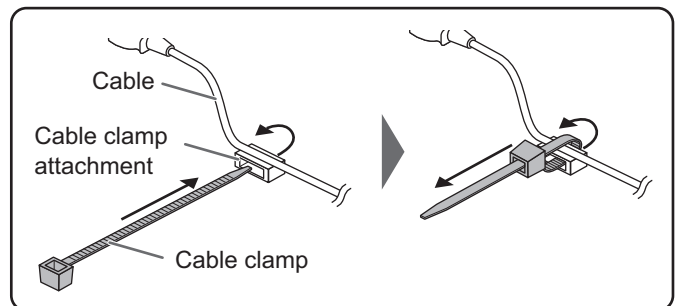


[PN-E421]

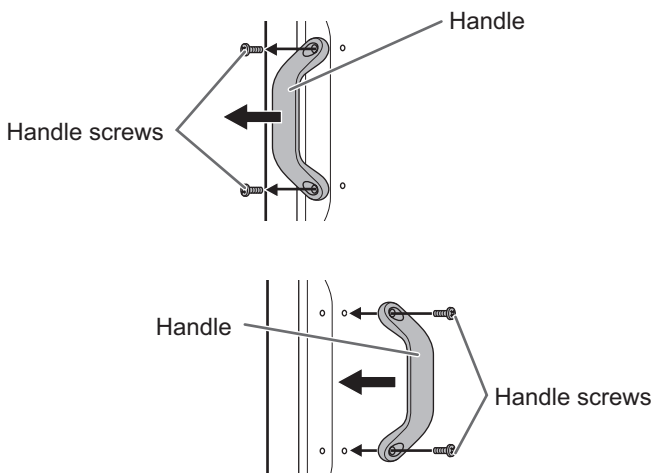


The cables connected to the terminals on the rear of the monitor can be fastened with the cable clamp.

Insert the cable clamp into the cable clamp attachment on the rear of the monitor and fasten the cables.



# Removing the Handles

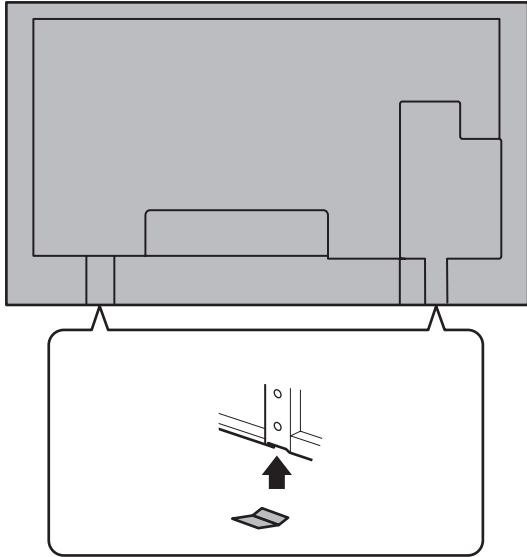


The handles can be removed.  
The removed handles can be attached on the rear side.

## ! Caution

- The removed handles and handle screws are for use with this monitor. Do not use them for any other devices.
- To attach handles, be sure to use the handles and handle screws which were removed from the monitor.
- Be sure the handles are attached securely.

# Affixing the Stand Hole Protection Covers



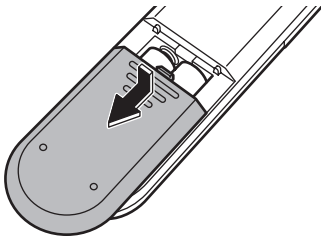
After installing the monitor, affix the stand hole protection covers as necessary.

1. Peel off the backing sheet and affix the cover on the monitor.

# Preparing the Remote Control Unit

## Installing the batteries

1. Press the cover gently and slide it in the direction of the arrow.



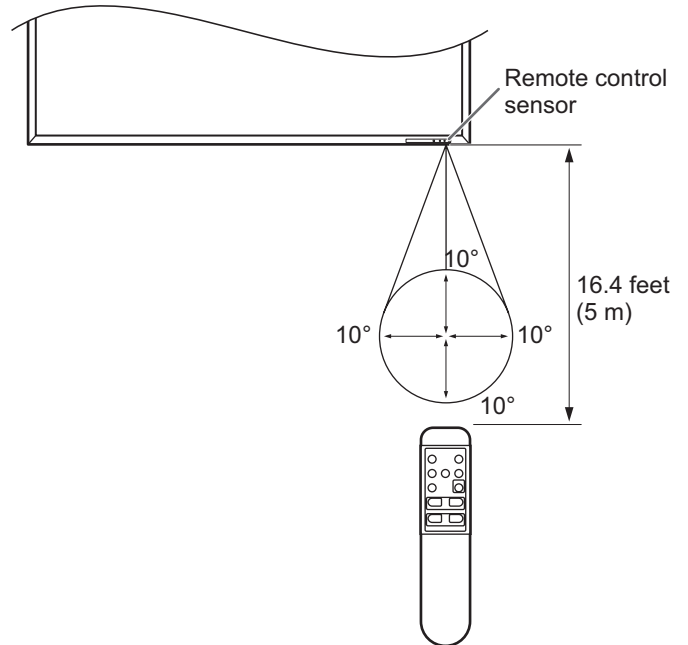
2. See the instructions in the compartment and put in the supplied batteries (R-03 ("AAA" size) x 2) with their plus (+) and minus (-) sides oriented correctly.
3. Close the cover.

### TIPS

- When the batteries become exhausted replace them with new (commercially available) batteries.
- The supplied batteries (R-03 ("AAA" size) x 2) may become exhausted quickly depending on how they are stored.
- If you will not be using the remote control for a long time, remove the batteries.
- Use manganese or alkaline batteries only.

## Remote control operation range

The operation range of the remote control unit is approx. 16.4 feet (5 m) at an angle of approx 10° from the center to the top/bottom/right/left of the remote control sensor.



### TIPS

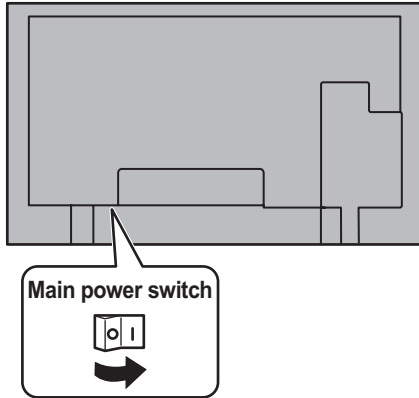
- Do not expose the remote control unit to shock by dropping or stepping on it. This could lead to a malfunction.
- Do not expose the remote control unit to liquids, and do not place it in an area with high humidity.
- The remote control unit may not work properly if the remote control sensor is under direct sunlight or strong lighting.
- Objects between the remote control unit and the remote control sensor may prevent proper operation.
- Replace the batteries when they run low as this may shorten the remote control's operation range.
- If a fluorescent light is illuminated near the remote control unit, it may interfere with proper operation.
- Do not use it with the remote control of other equipment such as air conditioner, stereo components, etc.

# Turning Power On/Off

## ! Caution

- Turn on the monitor first before turning on the PC or playback device.

## Turning on the main power

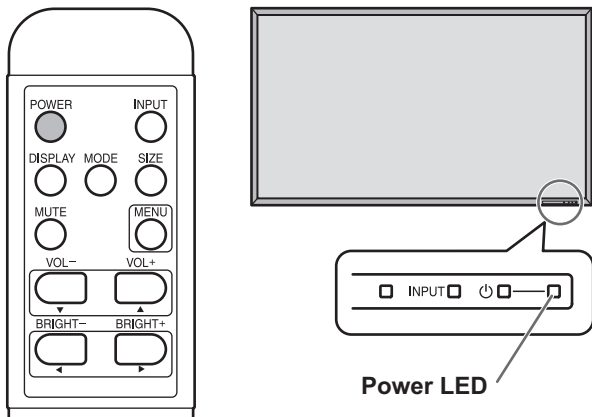


## ! Caution

- The main power must be turned on/off with the main power switch. Do not connect/disconnect the power cord or turn the breaker on/off while the main power switch is on.
- When switching the main power switch or the POWER button off and back on, always wait for at least 5 seconds.

## Turning power on/off

Press the POWER button to turn the power ON/OFF. When the main power switch is off, the monitor cannot be turned on using the POWER button on the remote control unit.



Status of a power LED	Status of the monitor
Green lighting	Power on
Orange lighting	Power off (Standby mode)
Green flashing	Input signal waiting mode

## ! Caution

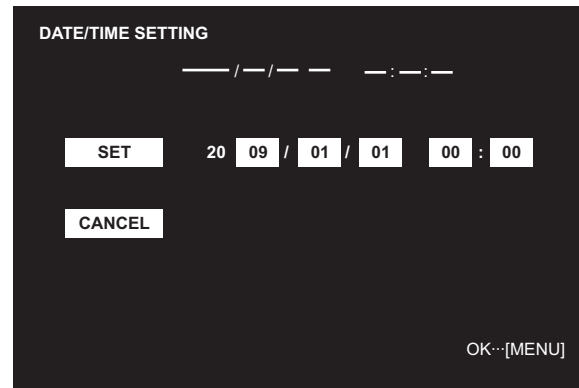
- When switching the main power switch or the POWER button off and back on, always wait for at least 5 seconds. A short interval may result in a malfunction.

## TIPS

- If the monitor is in the input signal standby mode and you press the POWER button on the remote control unit, the monitor enters standby mode.
- You can turn on/off the monitor by pressing the power switch on the front panel of the monitor.
- Setting the SCHEDULE flashes the power LED alternately in red and orange in standby mode.

## ■ Date/time setting

- If the time has yet to be set when the monitor is first turned on, the date/time setting screen appears. Set the date and time.



1. Press , , or to select the date and time, and press or to change the numerical values.
  2. Select SET and then press .
- Be sure to set the date and time.
  - The date/time setting screen will close automatically if no operation is performed for about 15 seconds. The date and time can be set using DATE/TIME SETTING from the OPTION menu when the date/time setting screen disappears.

## TIPS

- Set the date in "Year/Month/Day" order.
- Set the time on a 24-hour basis.
- The clock is maintained by the internal battery.
- If you already set the time but the date/time setting screen appears when the power is turned on, the internal battery may be exhausted. Please contact your local Sharp servicing dealer or service center for assistance with battery replacement.
- Estimated service life of the internal battery: About 5 years (depending on monitor operation)
- As the first battery was inserted at the factory, it may be exhausted prior to the expected continuous operation life.

## Disabling power on/off operations

Power on/power off operations can be disabled in order to protect the monitor from an accidental power off. Set the ADJUSTMENT LOCK in FUNCTION menu to "2". (See Operation guide.)

PN-E471  
PN-E421





# MONITEUR LCD

## FRANÇAIS

FRANÇAIS

### INFORMATION IMPORTANTE

**AVERTISSEMENT :** POUR RÉDUIRE LE RISQUE D'INCENDIE OU DE DÉCHARGE ÉLECTRIQUE, NE PAS EXPOSER CE PRODUIT À LA PLUIE OU À LA POUSSIÈRE.

 	<p><b>ATTENTION</b></p> <p>RISQUE DE DÉCHARGE ÉLECTRIQUE NE PAS OUVRIR</p>	 <p>Le symbole représenté par l'éclair à la tête en pointe de flèche à l'intérieur d'un triangle équilatéral, est placé pour alerter l'utilisateur de la présence d'une "tension dangereuse" non isolée à l'intérieur du produit. Cette tension peut avoir une valeur suffisante pour constituer un risque d'électrocution à toute personne.</p>
<p>ATTENTION : POUR RÉDUIRE LE RISQUE DE DÉCHARGE ÉLECTRIQUE, NE PAS RETIRER LE COUVERCLE. IL N'Y A AUCUNE PIÈCE RÉPARABLE PAR L'UTILISATEUR À L'INTÉRIEUR. AVERTIR LE PERSONNEL DE SERVICE QUALIFIÉ POUR TOUTE PROCÉDURE D'ENTRETIEN.</p>		 <p>Le point d'exclamation à l'intérieur d'un triangle est placé pour alerter l'utilisateur de la présence d'une procédure particulière ou d'une procédure de maintenance (entretien) importante dans les manuels accompagnant le produit.</p>

**ATTENTION :** La prise de secteur doit être installée près de l'équipement et être facilement accessible.

**ATTENTION :** Utilisez le cordon d'alimentation fourni avec l'appareil tel quel.

Ce produit utilise une lampe fluorescente contenant une petite quantité de mercure.  
La mise au rebut de ce matériau pourrait être réglementée pour des considérations environnementales. Pour obtenir plus d'information sur les conditions de mise au rebut ou de recyclage, veuillez contacter les autorités locales.

# INFORMATION IMPORTANTE (Suite)

## AVERTISSEMENT :

Les lois FCC établissent que tout changement ou modification non-autorisés de cet équipement qui n'ont pas été expressément approuvés par le producteur, constituent un motif d'annulation des droits de l'utilisateur d'utiliser cet appareil.

## REMARQUE :

Cet équipement, après les tests, a été jugé conforme aux limites d'un équipement numérique de Classe A, conformément à la section 15 de la réglementation FCC. Ces limites sont établies pour fournir une protection raisonnable contre les interférences nuisibles lorsque l'équipement est utilisé dans un environnement commercial. Cet équipement produit, utilise et peut rayonner de l'énergie sous forme de radiofréquences et, s'il n'est pas installé et utilisé conformément aux instructions du mode d'emploi, peut provoquer des interférences nuisibles aux communications par radio. Le fonctionnement de cet équipement dans une zone résidentielle peut vraisemblablement provoquer des interférences nuisibles, auquel cas l'utilisateur est prié de corriger ces interférences à ses propres frais.

Ce produit utilise de la soudure plomb-étain, et une lampe fluorescente contenant une petite quantité de mercure. La mise au rebut de ces matériaux pourrait être réglementée pour des considérations environnementales. Pour obtenir plus d'information sur les conditions de mise au rebut ou de recyclage, veuillez contacter les autorités locales, consulter le site Internet de Electronics Industries Alliance : [www.eiae.org](http://www.eiae.org), celui de l'organisation de recyclage des lampes : [www.lamprecycle.org](http://www.lamprecycle.org) ou la société Sharp au numéro 1-800-BE-SHARP (Pour les États-Unis Seulement)

Ce produit inclut une pile au lithium CR contenant du perchlorate. Des précautions particulières peuvent s'appliquer concernant la manipulation. Si vous résidez en Californie, veuillez consulter le site [www.dtsc.ca.gov/hazardouswaste/perchlorate/](http://www.dtsc.ca.gov/hazardouswaste/perchlorate/).

ÉTATS-UNIS SEULEMENT



**Attention :** votre produit comporte ce symbole. Il signifie que les produits électriques et électroniques usagés ne doivent pas être mélangés avec les déchets ménagers généraux. Un système de collecte séparé est prévu pour ces produits.

## A. Informations sur la mise au rebut à l'intention des utilisateurs privés (ménages)

### 1. Au sein de l'Union européenne

Attention : si vous souhaitez mettre cet appareil au rebut, ne le jetez pas dans une poubelle ordinaire !

Les appareils électriques et électroniques usagés doivent être traités séparément et conformément aux lois en vigueur en matière de traitement, de récupération et de recyclage adéquats de ces appareils.

Suite à la mise en œuvre de ces dispositions dans les États membres, les ménages résidant au sein de l'Union européenne peuvent désormais ramener gratuitement\* leurs appareils électriques et électroniques usagés sur des sites de collecte désignés. Dans certains pays\*, votre détaillant reprendra également gratuitement votre ancien produit si vous achetez un produit neuf similaire.

\*) Veuillez contacter votre administration locale pour plus de renseignements.

Si votre appareil électrique ou électronique usagé comporte des piles ou des accumulateurs, veuillez les mettre séparément et préalablement au rebut conformément à la législation locale en vigueur.

En veillant à la mise au rebut correcte de ce produit, vous contribuerez à assurer le traitement, la récupération et le recyclage nécessaires de ces déchets, et préviendrez ainsi les effets néfastes potentiels de leur mauvaise gestion sur l'environnement et la santé humaine.

### 2. Pays hors de l'Union européenne

Si vous souhaitez mettre ce produit au rebut, veuillez contacter votre administration locale qui vous renseignera sur la méthode d'élimination correcte de cet appareil.

Suisse : les équipements électriques ou électroniques usagés peuvent être ramenés gratuitement au détaillant, même si vous n'achetez pas un nouvel appareil. Pour obtenir la liste des autres sites de collecte, veuillez vous reporter à la page d'accueil du site [www.swico.ch](http://www.swico.ch) ou [www.sens.ch](http://www.sens.ch).

## B. Informations sur la mise au rebut à l'intention des entreprises

### 1. Au sein de l'Union européenne

Si ce produit est utilisé dans le cadre des activités de votre entreprise et que vous souhaitez le mettre au rebut :

Veuillez contacter votre revendeur SHARP qui vous informera des conditions de reprise du produit. Les frais de reprise et de recyclage pourront vous être facturés. Les produits de petite taille (et en petites quantités) pourront être repris par vos organisations de collecte locales.

Espagne : veuillez contacter l'organisation de collecte existante ou votre administration locale pour les modalités de reprise de vos produits usagés.

### 2. Pays hors de l'Union européenne

Si vous souhaitez mettre ce produit au rebut, veuillez contacter votre administration locale qui vous renseignera sur la méthode d'élimination correcte de cet appareil.



# INFORMATION IMPORTANTE (Suite)



Les piles/accus fournies avec ce produit peuvent contenir des traces de Plomb.

Au sein de l'Union Européenne :

Le symbole de la poubelle sur roues barrée laisse supposer que les piles/accus usagées ne doivent pas être mélangées avec les déchets ménagers ! Il existe un mode de collecte séparé pour les piles/accus usagées, ce qui permet d'effectuer un traitement et un recyclage en accord avec la législation. Veuillez contacter une autorité locale pour plus de renseignements sur le système mis en place.

Pour la Suisse :

Les piles/accus usagées doivent être retournées chez votre détaillant.

Pour les pays hors Union Européenne :

Veuillez contacter une autorité locale afin de connaître la bonne méthode à utiliser pour la collecte de vos piles/accus usagées.

## "TRAITEMENT DES PILES USAGÉES"

CE PRODUIT CONTIENT UNE PILE DE SAUVEGARDE DE MÉMOIRE LITHIUM PRIMAIRE (DIOXYDE DE MANGANÈSE) QUI DOIT ÊTRE TRAITÉE CORRECTEMENT. VEUILLEZ PRENDRE CONTACT AVEC VOTRE DÉTAILLANT SHARP LOCAL OU L'AGENT DE SERVICE AUTORISÉ POUR DES INFORMATIONS SUR LE TRAITEMENT DE LA PILE USAGÉE.

ÉTATS-UNIS ET CANADA SEULEMENT

FRANÇAIS

## CHER CLIENT

Nous vous remercions d'avoir acheté cet appareil SHARP à écran LCD. Afin de garantir le bon fonctionnement de ce moniteur, nous vous conseillons de lire attentivement cette brochure et de la conserver pour toute référence ultérieure.

## PRÉCAUTIONS DE SÉCURITÉ

L'électricité remplit de nombreuses fonctions utiles, mais elle peut provoquer des blessures et des dégâts matériels si elle n'est pas utilisée correctement. Cet appareil a été conçu et fabriqué en attachant la plus grande importance à la sécurité. Cependant, une utilisation inadéquate peut entraîner une décharge électrique et/ou un incendie. Afin d'éviter tout danger potentiel, veuillez respecter les consignes suivantes lors de l'installation, de l'utilisation et du nettoyage de l'appareil. Afin d'assurer votre propre sécurité et de prolonger la durée de service de votre moniteur LCD, veuillez lire attentivement les précautions ci-dessous avant d'utiliser l'appareil.

1. Lisez ces explications — Vous devez lire et comprendre toutes les informations relatives au fonctionnement de l'appareil avant de l'utiliser.
2. Conservez cette brochure dans un endroit sûr — Ces explications concernant la sécurité et le fonctionnement doivent être conservées dans un endroit sûr pour vous y référer en cas de besoin.
3. Respectez les avertissements — Tous les avertissements figurant sur l'appareil et dans ce mode d'emploi doivent être strictement respectés.
4. Suivez les instructions — Toutes les explications sur le fonctionnement doivent être respectées.
5. Nettoyage — Débranchez le cordon d'alimentation au niveau de la prise du secteur avant de nettoyer l'appareil. Servez-vous d'un linge sec, et n'employez pas de détergents liquides ou en atomiseur.
6. Accessoires — N'utilisez pas d'accessoires non recommandés par le fabricant, car ceci pourrait provoquer des accidents.
7. Eau et humidité — N'utilisez pas cet appareil près de l'eau. N'installez pas le produit à un endroit où il pourrait recevoir de l'eau. Évitez en particulier les emplacements sous les appareils à vidange d'eau tels que les climatiseurs.
8. Ventilation — Des ouïes et autres ouvertures sont prévues dans le coffret de l'appareil pour sa ventilation. Ne recouvrez pas et ne bouchez pas ces ouvertures car une ventilation insuffisante peut provoquer une surchauffe et réduire la durée de vie de l'appareil. Ne placez pas l'appareil sur un sofa, un tapis ou toute autre surface analogue car ceci pourrait obstruer les ouvertures de ventilation. Cet appareil n'est pas conçu pour une installation encastrée; ne le placez donc pas dans un endroit fermé comme une bibliothèque ou une baie à moins qu'une ventilation adéquate ne soit prévue et que les consignes du fabricant ne soient respectées.
9. Protection du cordon d'alimentation — Faites passer les cordons d'alimentation à un endroit où ils ne seront pas écrasés ou coincés par d'autres objets.
10. Le panneau de l'écran à cristaux liquides (LCD) de cet appareil est fabriqué en verre et, par conséquent, il peut se briser si l'appareil tombe ou s'il reçoit un fort impact. Veillez à ne pas vous blesser par les éclats de verre si le panneau LCD devait être brisé.
11. Surcharge — Ne surchargez pas les prises de courant ou les rallonges car ceci peut entraîner un risque d'incendie ou d'électrocution.
12. Insertion de solides ou de liquides — N'introduisez jamais des objets par les orifices de cet appareil, car ils pourraient provoquer une électrocution et/ou un court-circuit en touchant des pièces internes sous haute tension. Pour la même raison, ne renversez jamais de l'eau ou un liquide sur l'appareil.
13. Entretien — N'essayez pas de réparer vous-même l'appareil. La dépose des couvercles peut vous exposer à une haute tension ou à d'autres dangers. Confiez toute réparation à un personnel qualifié.

# PRÉCAUTIONS DE SÉCURITÉ (Suite)

14. Réparation — Dans les cas suivants, débranchez le cordon d'alimentation au niveau de la prise secteur et demandez à un personnel qualifié d'effectuer les réparations.
  - a. Dégât sur le cordon ou la prise de courant.
  - b. Infiltration d'un liquide ou pénétration d'un objet à l'intérieur de l'appareil.
  - c. Exposition de l'appareil à la pluie ou à l'eau.
  - d. Fonctionnement anormal malgré une conformité aux explications du mode d'emploi.  
Ne réglez que les commandes dont il est fait mention dans le mode d'emploi. Un réglage incorrect des autres commandes peut provoquer des dégâts qui nécessiteraient des réparations complexes par un technicien spécialisé.
  - e. Chute ou dégâts subis par l'appareil.
  - f. Tout changement notable ou situation anormale de l'appareil indique qu'une réparation est nécessaire.
15. Pièces de rechange — Lorsque des pièces doivent être remplacées, assurez-vous que le technicien a utilisé les pièces spécifiées par le fabricant ou des pièces dont les performances et les caractéristiques sont identiques. Des changements non autorisés de pièces peuvent entraîner un incendie, une électrocution et/ou d'autres dangers.
16. Contrôles de sécurité — Après une intervention d'entretien ou de réparation, demandez au technicien de procéder à un contrôle pour être sûr que l'appareil peut être utilisé en toute sécurité.
17. Installation sur paroi — Si l'appareil doit être fixé sur une paroi, installez-le en respectant la méthode recommandée par le fabricant.
18. Sources de chaleur — Tenez l'appareil à l'écart de sources de chaleur, telles que radiateurs, dispositifs de chauffage, poêles et autres appareils dégageant de la chaleur (y compris les amplificateurs).
19. Piles — Une utilisation incorrecte des piles peut les faire éclater ou prendre feu. Une pile qui fuit peut causer des corrosions dans l'équipement, des salissures aux mains ou abîmer vos vêtements. Afin d'éviter ces problèmes, assurez-vous que les précautions suivantes sont appliquées :
  - Utilisez seulement des piles prescrites.
  - Installez les piles en faisant bien attention aux polarités plus (+) et moins (-) des piles selon les instructions dans le compartiment.
  - Ne mélangez pas des piles usagées avec des neuves.
  - Ne mélangez pas des piles de différents types. Les spécifications de voltage des piles de même forme peuvent varier.
  - Remplacez rapidement une pile épuisée par une nouvelle.
  - Si vous n'avez pas l'intention d'utiliser la télécommande pendant une longue période, retirez les piles.
  - Si le liquide provenant d'une pile qui fuit touche votre peau ou vos habits, rincez immédiatement et complètement les parties touchées. Si un œil est touché, faites immédiatement un bain d'œil plutôt que de le frotter et cherchez immédiatement un traitement médical. Le liquide provenant de la fuite d'une pile qui atteint votre œil ou vos habits peut causer une irritation de la peau ou des dommages à votre œil.
20. L'utilisation de ce moniteur ne doit pas entraîner des risques mortels ou des dangers qui pourraient provoquer directement la mort, des blessures sur le personnel, des dommages physiques sévères ou d'autres destructions, y compris dans le contrôle des réactions nucléaires dans les installations nucléaires, dans le système médical de réanimation, et dans le contrôle de lancement des missiles dans les systèmes d'armes.
21. N'entrez pas en contact direct avec les parties du produit ayant chauffé pendant de longues périodes. Il pourrait en résulter des brûlures à basse température.

## AVERTISSEMENT :

Ce produit appartient à la Classe A. Dans un environnement résidentiel, il peut provoquer des interférences radio et, dans ce cas, l'utilisateur peut être obligé de prendre les mesures nécessaires.

Afin de satisfaire aux normes EMC, utiliser des câbles blindés pour connecter les bornes suivantes : Borne de sortie PC/AV DVI-D, borne d'entrée PC/AV DVI-D, borne d'entrée PC/AV HDMI, borne d'entrée PC D-sub, bornes d'entrée PC RVB, et bornes d'entrée/sortie RS-232C.

Un moniteur placé sur un support instable est dangereux en raison des risques de chute qu'il présente. De nombreuses blessures, touchant en particulier les enfants, peuvent être évitées en prenant quelques précautions simples :

- Utiliser les dispositifs de fixation tels que les supports muraux fournis par le fabricant.
- Utiliser uniquement des meubles capables d'accueillir le moniteur en toute sécurité.
- Vérifier que le moniteur ne dépasse pas du bord du meuble sur lequel il est posé.
- Ne pas placer le moniteur sur des meubles hauts, armoires ou étagères, par exemple, sans fixer le meuble concerné et le moniteur à un support approprié.
- Ne pas intercaler de tissu ou toute autre matière entre le moniteur et le meuble sur lequel il est posé.
- Expliquer aux enfants qu'il est dangereux de grimper sur les meubles pour atteindre le moniteur ou ses boutons de commande.

## En particulier pour la sécurité des enfants

- Ne laissez pas les enfants grimper sur ou jouer avec le moniteur.
- Ne placez pas le moniteur sur des meubles qui peuvent facilement se transformer en marches comme une commode avec tiroirs.
- Souvenez-vous que les enfants s'excitent souvent en visionnant un programme, surtout sur un moniteur « plus grand que la normale ». Il faut faire en sorte d'installer le moniteur là où il ne peut pas être poussé, tiré, ni basculé.
- Il faut faire en sorte de placer les fils et les câbles connectés au moniteur de façon à ce que des enfants curieux ne puissent pas les tirer ni les saisir.

# CONSEILS ET MESURES DE SÉCURITÉ

- Le panneau couleur LCD TFT utilisé dans ce moniteur est fabriqué en application d'une technologie de grande précision. Cependant, il peut avoir sur l'écran des points minuscules où les pixels ne s'allument jamais ou restent allumés en permanence. De même, si on regarde l'écran avec un angle aigu par rapport à la surface de l'écran, les couleurs et la luminosité peuvent paraître inégales. Notez que ce n'est pas un dysfonctionnement mais un phénomène commun des écrans LCD et que cela n'affectera pas les performances du moniteur.
- N'affichez pas une image fixe pendant une longue période, car cela pourrait provoquer l'apparition d'une image rémanente.
- Ne frottez pas, ne grattez pas le moniteur avec un objet dur.
- Il faut savoir que la Sharp Corporation décline toute responsabilité en cas d'erreurs commises durant l'utilisation par le client ou par une tierce personne, ainsi qu'en cas de dysfonctionnement ou de dommage survenu à ce produit pendant son utilisation, excepté dans le cas de responsabilité reconnue par la loi.
- Ce moniteur et ses accessoires sont susceptibles d'évoluer sans avis préalable.
- N'utilisez pas le moniteur dans un endroit où il y a beaucoup de poussières, où le degré d'humidité est élevé, ou encore là où il pourrait se trouver en contact avec de l'huile ou de la vapeur, car cela pourrait provoquer un début d'incendie.
- Assurez-vous que le moniteur ne se trouve pas en contact avec de l'eau ou d'autres fluides. Assurez-vous qu'aucun objet tel que des agrafes et des trombones ne pénètre dans le moniteur, car cela pourrait provoquer un début d'incendie ou un choc électrique.
- N'installez pas le moniteur au dessus des objets instables ou dans des endroits peu sûrs. Faites attention que le moniteur ne reçoive pas de chocs violents ni de fortes vibrations. Provoquer la chute du moniteur ou le culbuter peut l'endommager.
- N'utilisez pas le moniteur à proximité d'un appareil de chauffage ou dans des endroits où la température est élevée, car cela pourrait conduire à un dégagement excessif de chaleur et provoquer un début d'incendie.
- Il n'est pas possible de faire tourner les images sur ce moniteur.

Quand vous travaillez suivant la direction verticale, prévoyez d'orienter au préalable le contenu.

(Le PN-E471 ne peut pas être utilisé en position verticale.)

## Le cordon d'alimentation

- N'endommagez pas le cordon d'alimentation, ne déposez pas d'objets lourds sur le cordon d'alimentation, ne tirez pas dessus et ne le pliez pas de manière excessive. De même, n'ajoutez pas de rallonges. Tout endommagement du cordon d'alimentation peut provoquer un début d'incendie ou un choc électrique.
- Utilisez seulement le cordon d'alimentation fourni avec le moniteur.
- Ne branchez pas le cordon d'alimentation sur une prise multiple. Ajouter une rallonge peut entraîner une surchauffe et provoquer un début d'incendie.
- Ne débranchez pas ni ne branchez la prise d'alimentation avec des mains humides. En ce faisant, vous risquez un choc électrique.
- Débranchez le cordon d'alimentation si l'équipement n'est pas utilisé pendant une longue période.
- Ne tentez pas de réparer le cordon d'alimentation s'il est coupé ou s'il ne fonctionne pas correctement. Veuillez prendre contact avec le service après vente et suivre ses recommandations.

## Étendue du manuel

- Microsoft, Windows et Internet Explorer sont des marques déposées de la société Microsoft Corporation.
- HDMI, le Logo HDMI et High-Definition Multimedia Interface sont des marques de commerce ou des marques déposées de la société HDMI Licensing LLC.
- Adobe, Acrobat et Reader sont des marques de commerce ou des marques déposées de la société Adobe Systems Incorporated aux Etats-Unis et/ou dans d'autres pays.
- Ce produit est livré avec la police en points de RICOH produite et vendue par RICOH COMPANY, LTD.
- Toutes les autres marques et les noms de produits sont des marques commerciales ou des marques déposées par les compagnies respectives.
- La langue du menu OSD (affichage à l'écran) utilisée dans ce manuel comme exemple est l'anglais.
- Les illustrations dans ce manuel peuvent ne pas représenter exactement le produit ou l'affichage réels.
- Ce manuel suppose l'utilisation de l'appareil dans une direction horizontale, sauf dans les cas spécialement notifiés.

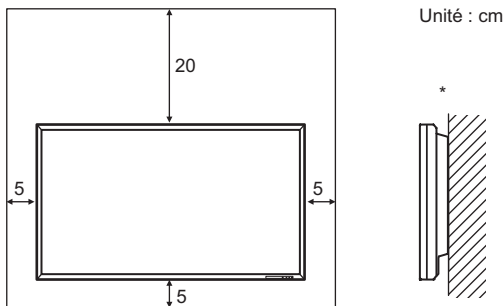
## Lampes fluorescentes

- Les lampes fluorescentes qui équipent ce produit ont une durée de vie limitée.
  - \* Si l'écran s'obscurcit, clignote ou ne s'allume pas, il est nécessaire de remplacer les lampes fluorescentes. Ces dernières sont exclusives à ce produit et doivent être remplacées par un revendeur Sharp ou un centre de services autorisé.
  - \* Pour toute assistance, veuillez contacter votre revendeur Sharp ou un centre de services local.
- En raison des caractéristiques propres aux lampes fluorescentes, il est possible que l'écran clignote les premiers temps de son utilisation. Si cela se produit, mettez hors tension l'interrupteur principal du moniteur, attendez au moins 5 secondes puis remettez le sous tension pour assurer sa mise en fonction.

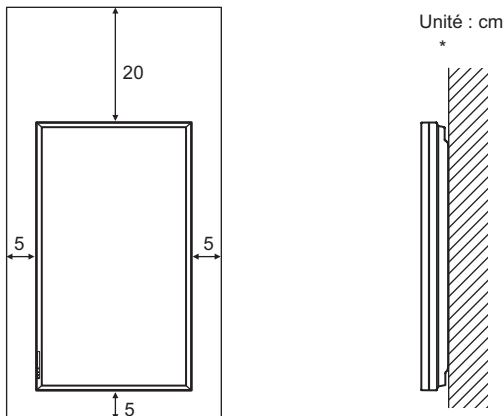
# PRÉCAUTIONS POUR LE MONTAGE

- Comme le moniteur est lourd, consultez votre revendeur avant l'installation, le démontage ou le déplacement du moniteur.
- L'installation, le démontage ou le déplacement du moniteur doit être fait par 2 personnes ou plus.
- Un support de montage conforme aux spécifications VESA est nécessaire. N'utilisez pas de trous de vis autres que les trous standard VESA pour l'installation.
- Lorsque vous déplacez le moniteur, assurez-vous de le saisir par les deux poignées situées à l'arrière et sur le bas de l'unité. Ne saisissez pas le panneau LCD. Ceci pourrait causer une panne, un dysfonctionnement ou une blessure.
- Installez le moniteur perpendiculairement à la surface horizontale. Si nécessaire, le moniteur peut être incliné, vers le haut ou vers le bas, à un angle maximal de 20 degrés.
- Le montage du moniteur sur le mur demande des compétences techniques spéciales et le travail doit être fait par un revendeur agréé par SHARP. Vous ne devez jamais tenter de faire ce travail vous-même. Notre société déclinera toute responsabilité pour les accidents ou blessures causés par un montage incorrect ou par une mauvaise manipulation.
- Ce moniteur doit être utilisé sous une température ambiante entre 0°C et 40°C. Laissez assez d'espace autour du moniteur pour empêcher que la chaleur ne s'accumule à l'intérieur.
- S'il est difficile de laisser un espace suffisant pour une raison ou pour une autre (installation du moniteur dans une enceinte, par exemple) ou si la température ambiante est susceptible de dépasser la plage de valeurs prévue (de 0 à 40°C), installez un ventilateur ou prenez d'autres mesures appropriées pour maintenir la température ambiante dans la plage de valeurs requise.
- La température de fonctionnement du moniteur peut être différente de celle des accessoires additionnels recommandés par SHARP. Lorsque c'est le cas, veuillez vérifier la température de fonctionnement des accessoires additionnels.
- Le PN-E471 ne peut pas être utilisé en position verticale.
- Respectez la condition suivante quand vous installez le moniteur dans la direction verticale. Le non respect de cette condition peut causer des dysfonctionnements. (pour PN-E421 seulement)
  - Installez le moniteur de sorte que la diode d'alimentation soit située sur le bord inférieur.
  - Réglez le MONITOR <MONITEUR> sur PORTRAIT dans le menu SETUP <INSTALLATION>. (Voir le GUIDE DE L'UTILISATEUR.)
- Ne bloquez pas les ouvertures de ventilation. Si la température dans le moniteur s'élève, ceci pourrait causer un dysfonctionnement.
- Après le montage, assurez-vous que le moniteur est bien fixé au mur ou au support, sans risque de relâche.
- Ne placez le moniteur sur un équipement qui dégage de la chaleur.
- Utilisez l'autocollant vertical quand vous installez le moniteur dans une direction verticale. (pour PN-E421 seulement)

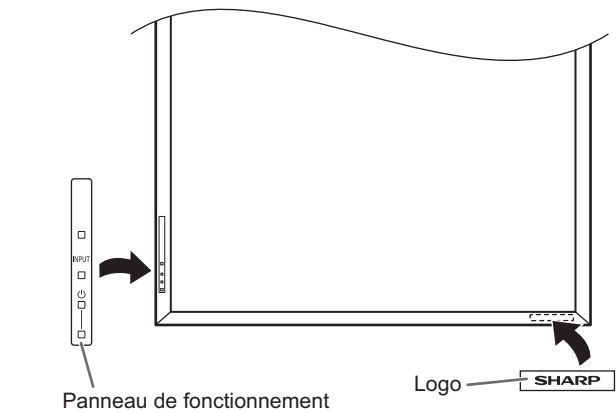
## Pour le moniteur en position horizontale



## Pour le moniteur en position verticale (pour PN-E421 seulement)



\* Le moniteur peut être installé près d'un mur. Cependant, le moniteur émet de la chaleur pendant son fonctionnement ; cette chaleur peut décolorer ou altérer le mur.



N'enlevez pas l'autocollant fixé en usine, mais fixez l'autocollant du logo sur l'autre. Assurez-vous de ne pas recouvrir le capteur de télécommande ou des boutons.

- Veillez à utiliser un support mural conçu ou prévu pour la fixation du moniteur.
- Ce moniteur est prévu pour être installé sur un mur ou un pilier en béton. Un travail de renforcement pourrait s'avérer nécessaire pour certains matériaux tels que le plâtre, un mince panneau de plastique ou le bois avant de commencer l'installation. Le mur sur lequel ce moniteur et le support doivent être installés doit pouvoir supporter, au moins, 4 fois son poids ou davantage. Installez de la manière qui convient le mieux en fonction du matériau et de la structure.
- Veuillez suivre les étapes relatives au branchement des pièces optionnelles décrites dans le manuel.
- Utiliser uniquement avec le support de montage mural UL indiqué, et un poids ou une charge minimum de : 102 kg pour le PN-E471 et 88 kg pour le PN-E421.

# Table des matières

<b>INFORMATION IMPORTANTE</b> .....	1	<b>Ajout des protections des trous de support</b> .....	11
<b>CHER CLIENT</b> .....	3	<b>Mise en service de la télécommande</b> .....	11
<b>PRÉCAUTIONS DE SÉCURITÉ</b> .....	3	Mise en place des piles .....	11
<b>CONSEILS ET MESURES DE SÉCURITÉ</b> .....	5	Portée de la télécommande .....	11
<b>PRÉCAUTIONS POUR LE MONTAGE</b> .....	6	<b>Mise sous tension et hors tension</b> .....	12
<b>Composants fournis</b> .....	7	Mise sous tension de l'interrupteur principal .....	12
<b>Connexion de périphériques</b> .....	8	Mise sous/hors tension .....	12
Connexion à un PC ou à un périphérique		Neutralisation des fonctions de mise sous/hors	
audiovisuel .....	8	tension .....	12
Branchement lorsque le PN-ZB01 (optionnel) est			
raccordé .....	9		
<b>Raccordement du cordon d'alimentation</b> .....	10		
<b>Fixation des câbles</b> .....	10		
<b>Suppression des poignées</b> .....	10		

Le présent manuel contient des instructions concernant la connexion et l'installation de l'appareil. Pour toutes les autres instructions, consultez le Guide de l'utilisateur inclus dans le CD-ROM, dans le dossier "manual". Adobe Reader est nécessaire pour pouvoir visualiser le Guide de l'utilisateur.

## Composants fournis

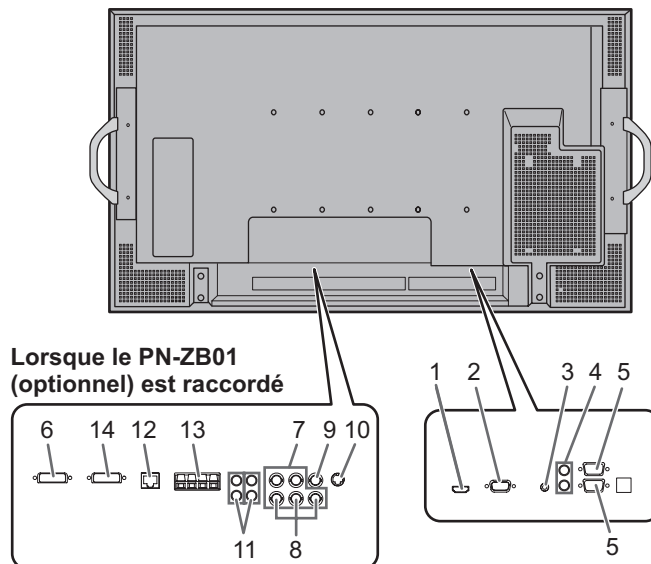
Si un composant venait à manquer, veuillez contacter votre revendeur.

- Moniteur à cristaux liquides : 1
- Télécommande : 1
- Serre-câbles : 2
- Cordon d'alimentation
- Piles du format R-03 (format "AAA") : 2
- CD-ROM (Utility Disk pour Windows) : 1
- Mode d'emploi : 1
- Protection de trou de support : 2
- Autocollant vertical (Panneau de fonctionnement) : 1 (pour PN-E421 seulement)
- Autocollant vertical (Logo) : 1 (pour PN-E421 seulement)
- Autocollant vierge : 1

Placez un autocollant vierge sur le logo SHARP pour le couvrir.

- \* Sharp Corporation détient les droits d'auteur du programme de l'Utility Disk. Veuillez ne pas le reproduire sans autorisation de la société.
- \* Pensez à votre environnement !  
Ne pas jeter les piles avec les ordures ménagères, exige un traitement spécial.

# Connexion de périphériques



## Attention

- Veillez à bien mettre hors tension l'interrupteur principal puis débranchez la prise de l'alimentation secteur avant de connecter ou de déconnecter les câbles. Lisez également le manuel de l'équipement à connecter.
- Veillez à ne pas confondre la borne d'entrée avec la borne de sortie quand vous connectez les câbles. En confondant les câbles branchés aux bornes d'entrée et de sortie, vous pouvez causer des dysfonctionnements et d'autres problèmes.

## Conseils

- Les images peuvent ne pas s'afficher correctement selon l'ordinateur (carte vidéo) connecté.
- Un écran de 1 920 x 1 080 de résolution peut ne pas être affiché correctement sur PC RGB <PC RVB>. Dans ce cas, vérifiez les réglages de votre ordinateur (carte vidéo) pour contrôler que les signaux d'entrée sont conformes aux spécifications de ce moniteur. (Voir le GUIDE DE L'UTILISATEUR.)
- S'il y a une case à cocher pour désactiver EDID sur le panneau de commande d'affichage, cochez le quand vous utilisez PC RGB <PC RVB>.
- Utilisez le réglage automatique de l'écran lorsque vous affichez un écran de PC pour la première fois en utilisant PC D-SUB ou PC RGB <PC RVB>, ou lorsque vous changez le réglage du PC. L'écran est réglé automatiquement quand SELF ADJUST <AUTORÉGLAGE> dans le menu OPTION <OPTIONS> est réglé sur ON.
- Si la sortie audio provenant du périphérique de lecture est connectée directement à des haut-parleurs ou à d'autres appareils, la vidéo affichée sur le moniteur peut être décalée par rapport à l'audio. L'audio doit être reproduit par ce moniteur, en connectant le périphérique de lecture à l'entrée audio du moniteur, et en connectant la sortie audio du moniteur aux haut-parleurs ou aux autres appareils.
- Les bornes d'entrée audio utilisées dans chaque mode d'entrée sont paramétrées d'origine comme suit.

Mode d'entrée	Borne d'entrée audio (paramètre d'origine)
PC D-SUB, PC DVI-D, PC RGB < PC RVB>	Borne d'entrée audio
AV DVI-D	Borne d'entrée audio 1
AV COMPONENT <AV COMPOSANT>, AV S-VIDEO <AV S-VIDÉO>, AV VIDEO <AV VIDÉO>	Borne d'entrée audio 2
PC HDMI, AV HDMI	Borne d'entrée PC/AV HDMI

## Connexion à un PC ou à un périphérique audiovisuel

### 1. Borne d'entrée PC/AV HDMI

- Utilisez un câble HDMI (conforme à la norme HDMI), en vente dans le commerce, pour la borne d'entrée PC/AV HDMI.
- Choisissez HDMI dans le sous-menu INPUT SELECT <SÉLECTION D'ENTRÉE> du menu OPTION <OPTIONS>, selon le périphérique à connecter.
- Sélectionnez la borne d'entrée audio à utiliser, PC HDMI ou AV HDMI dans le paramètre AUDIO SELECT <SÉLECTION ENTRÉE AUDIO> du menu OPTION <OPTIONS>. Lorsque le paramètre HDMI est sélectionné, le branchement sur la borne d'entrée audio n'est pas nécessaire.

### 2. Borne d'entrée PC D-sub

- Lorsque le PN-ZB01 (optionnel) est raccordé, sélectionnez la borne d'entrée audio à utiliser dans le paramètre PC-D-SUB du sous-menu AUDIO SELECT <SÉLECTION ENTRÉE AUDIO> du menu OPTION <OPTIONS>.

### 3. Borne d'entrée audio

- Utilisez un câble sans résistance.
- Lorsque le PN-ZB01 (optionnel) est raccordé, définissez la borne d'entrée audio utilisée pour chaque mode d'entrée dans le paramètre AUDIO SELECT <SÉLECTION ENTRÉE AUDIO> du menu OPTION <OPTIONS>.

### 4. Bornes de sortie audio

- La sortie audio varie selon le mode d'entrée.
- Le volume sonore de la sortie audio peut être réglé en définissant le paramètre AUDIO OUPUT <SORTIE AUDIO> du menu OPTION <OPTIONS>.
- Il n'est pas possible de régler la sortie audio provenant des bornes de sortie audio à l'aide du menu AUDIO.

### 5. Borne d'entrée RS-232C Borne de sortie RS-232C

- Vous pouvez contrôler le moniteur à partir d'un PC en raccordant un câble direct RS-232, en vente dans le commerce, entre ces bornes et le PC.

## Branchement lorsque le PN-ZB01 (optionnel) est raccordé

Le panneau d'extension PN-ZB01 (optionnel) permet d'utiliser des bornes de raccordement supplémentaires.

### 6. Borne d'entrée PC/AV DVI-D

- Sélectionnez DVI dans le sous-menu INPUT SELECT <SÉLECTION D'ENTRÉE> du menu OPTION <OPTIONS>, selon le périphérique raccordé.
- Sélectionnez la borne d'entrée audio à utiliser dans le paramètre PC DVI-D ou AV DVI-D du sous-menu AUDIO SELECT <SÉLECTION ENTRÉE AUDIO> du menu OPTION <OPTIONS>.

### 7. Bornes d'entrée PC RVB

- Réglez le paramètre BNC du sous-menu INPUT SELECT <SÉLECTION D'ENTRÉE> du menu OPTION <OPTIONS> sur PC RGB <PC RVB> si vous utilisez les bornes d'entrée PC RVB.
- Sélectionnez la borne d'entrée audio à utiliser dans le paramètre PC RGB <PC RVB> du sous-menu AUDIO SELECT <SÉLECTION ENTRÉE AUDIO> du menu OPTION <OPTIONS>.

### 8. Bornes d'entrée AV composant

- Réglez le paramètre BNC du sous-menu INPUT SELECT <SÉLECTION D'ENTRÉE> du menu OPTION <OPTIONS> sur AV COMPONENT <AV COMPOSANT> si vous utilisez les bornes d'entrée AV composant.
- Sélectionnez la borne d'entrée audio à utiliser dans le paramètre AV COMPONENT <AV COMPOSANT> du sous-menu AUDIO SELECT <SÉLECTION ENTRÉE AUDIO> du menu OPTION <OPTIONS>.

### 9. Borne d'entrée AV vidéo

- Sélectionnez la borne d'entrée audio à utiliser dans le paramètre AV VIDEO <AV VIDÉO> du sous-menu AUDIO SELECT <SÉLECTION ENTRÉE AUDIO> du menu OPTION <OPTIONS>.

### 10. Borne d'entrée AV S-vidéo

- Sélectionnez la borne d'entrée audio à utiliser dans le paramètre AV S-VIDEO <AV S-VIDÉO> du sous-menu AUDIO SELECT <SÉLECTION ENTRÉE AUDIO> du menu OPTION <OPTIONS>.

### 11. Bornes d'entrée audio 1 / bornes d'entrée audio 2

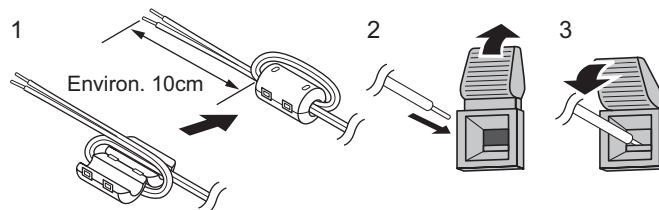
- Sélectionnez la borne d'entrée audio à utiliser dans chaque mode d'entrée dans le sous-menu AUDIO SELECT <SÉLECTION ENTRÉE AUDIO> du menu OPTION <OPTIONS>.

### 12. Borne LAN

- Vous pouvez contrôler le moniteur depuis un PC connecté à un réseau en branchant un câble LAN entre cette borne et un réseau.

### 13. Bornes du haut-parleur externe

- Pour utiliser des haut-parleurs externes, réglez le paramètre SPEAKER SELECT <SÉLECTION HAUT-PARLEUR> sur EXTERNAL <EXTÉRIEUR> dans le menu SETUP <INSTALLATION>.
- Assurez-vous que vous utilisez des haut-parleurs externes avec une impédance d'au moins 6  $\Omega$  et une puissance nominale d'au moins 10 W.



1. Raccordez une âme du câble du haut-parleur (fourni avec le PN-ZB01) à l'extrémité du câble branché au moniteur.
2. Tout en soulevant le couvercle, insérez l'extrémité du câble.
3. Relâchez le couvercle.

#### Conseils

- Assurez-vous de connecter convenablement les bornes + et -, et les haut-parleurs gauche et droit.
- Évitez de court-circuiter les bornes + et -.
- Lorsque le paramètre SPEAKER SELECT <SÉLECTION HAUT-PARLEUR> est réglé sur EXTERNAL <EXTÉRIEUR>, les haut-parleurs internes sont désactivés.

### 14. Borne de sortie PC/AV DVI-D

- Le signal vidéo de l'entrée PC/AV DVI-D peut être transmis à un périphérique externe.
- La lecture de vidéos cryptées HDCP nécessite un périphérique externe prenant en charge le HDCP.
- Vous pouvez raccorder jusqu'à 5 moniteurs en série sur cette borne.

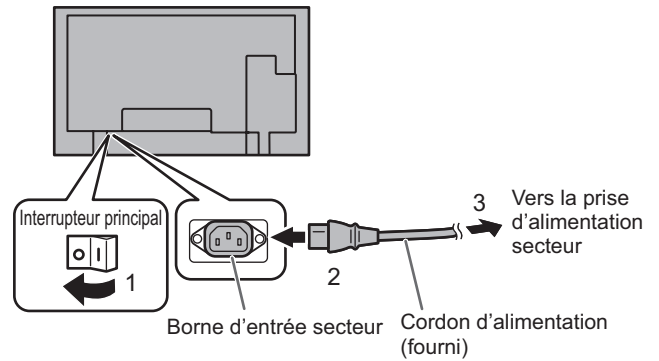
#### Conseils

- La longueur du câble de signal ou la situation environnante peut affecter la qualité de l'image.
- L'écran peut ne pas afficher une image correcte quand on utilise des bornes autres que PC DVI-D/AV DVI-D pour le mode d'entrée. Dans ce cas, mettez hors tension tous les moniteurs connectés en série puis remettez les sous tension.
- Lorsque vous raccordez en série plusieurs moniteurs, réglez le paramètre AUTO INPUT CHANGE <CHANGEMENT AUTO D'ENTRÉE> sur OFF.
- La sortie vidéo est désactivée dans les cas suivants :  
Lorsque le mode d'entrée est PC HDMI/AV HDMI  
Lorsque le paramètre PIP SOURCE du menu PIP/PbyP est réglé sur PC HDMI ou AV HDMI  
Lorsque l'appareil est mis hors tension  
Lorsque le moniteur est en mode attente du signal d'entrée

# Raccordement du cordon d'alimentation

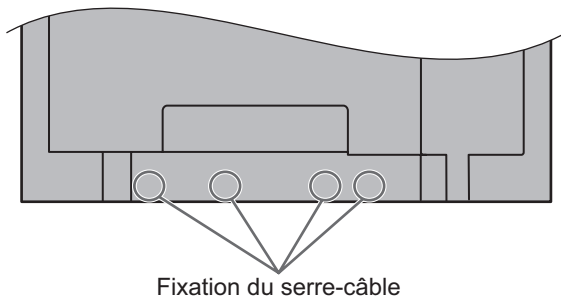
## ! Attention

- N'utilisez pas un autre cordon d'alimentation que celui qui est fourni avec le moniteur.
1. Mettez hors tension l'interrupteur principal.
  2. Raccordez le cordon d'alimentation (fourni) à la borne d'entrée secteur.
  3. Raccordez le cordon d'alimentation (fourni) à la prise d'alimentation secteur.

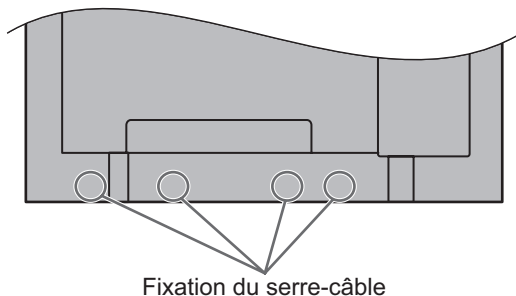


# Fixation des câbles

[PN-E471]

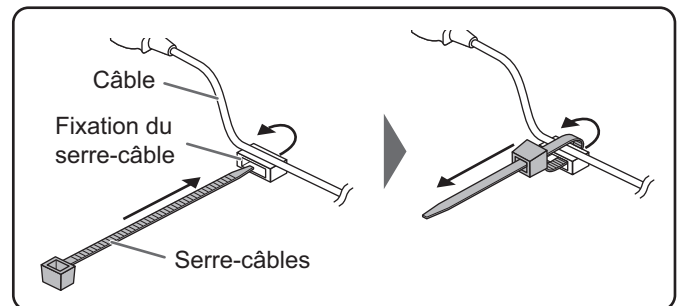


[PN-E421]

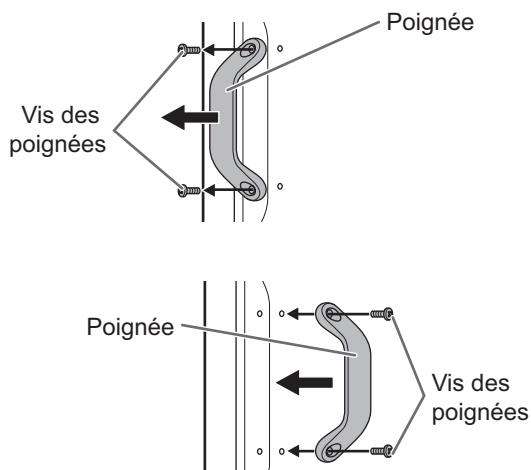


Les câbles raccordés aux bornes situées à l'arrière du moniteur peuvent être attachés à l'aide du serre-câbles.

Insérez le serre-câbles dans la fixation du serre-câbles à l'arrière du moniteur et attachez les câbles.



# Suppression des poignées



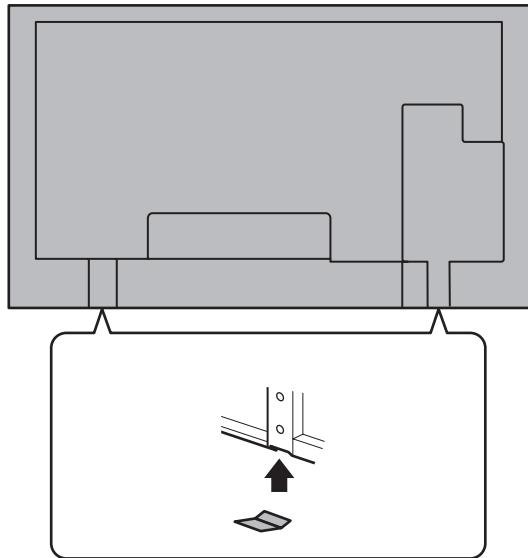
Les poignées peuvent être retirées.  
Les poignées retirées peuvent être fixées à l'arrière.

## ! Attention

- Les poignées et leurs vis ne doivent être utilisées qu'avec cet écran. Ne les utilisez pas avec d'autres appareils.
- Pour fixer les poignées, assurez-vous d'utiliser les poignées et les vis qui ont été retirées du moniteur.
- Assurez-vous que les poignées sont bien fixées.



# Ajout des protections des trous de support



Après avoir installé le moniteur, ajoutez les protections des trous de support si nécessaire.

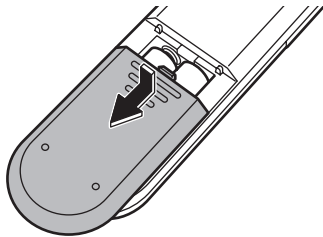
1. Retirez la feuille de protection et appliquez la protection sur le moniteur.

FRANÇAIS

## Mise en service de la télécommande

### Mise en place des piles

1. Appuyez doucement sur le capot et faites le glisser dans la direction de la flèche.



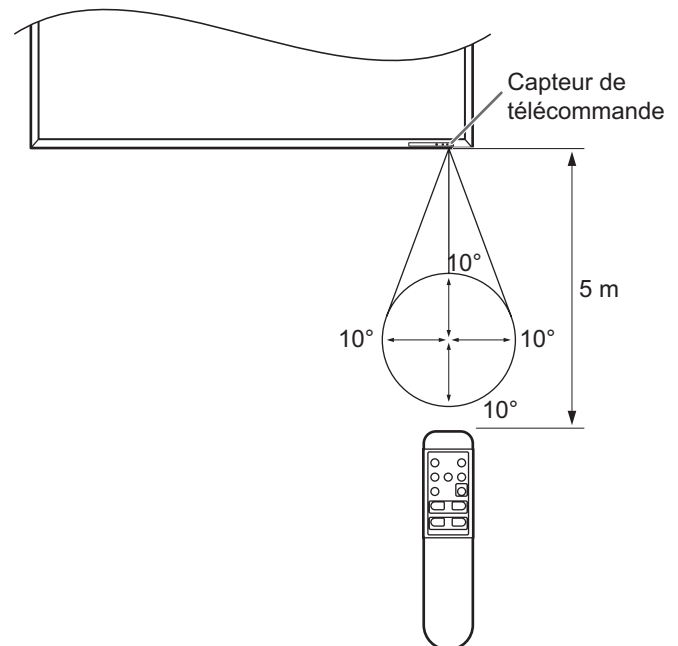
2. Reportez-vous aux instructions dans le compartiment et insérez les piles fournies (2 piles de format R-03, ou "AAA") avec leurs pôles positifs (+) et négatifs (-) orientés correctement.
3. Refermer le capot.

#### Conseils

- Remplacez plus tôt que prévu les piles usagées par des piles neuves (en vente dans le commerce).
- Les piles fournies (2 piles de format R-03, ou "AAA") peuvent avoir une durée de vie plus courte que prévue en fonction des conditions de stockage.
- Si vous n'avez pas l'intention d'utiliser la télécommande pendant une longue période, retirez les piles.
- Utilisez seulement des piles au manganèse ou alcalines.

### Portée de la télécommande

La portée de la télécommande est d'environ 5 m et l'angle de pointage doit être à environ 10° au dessus/au dessous/à droite/à gauche du centre du capteur de télécommande.



#### Conseils

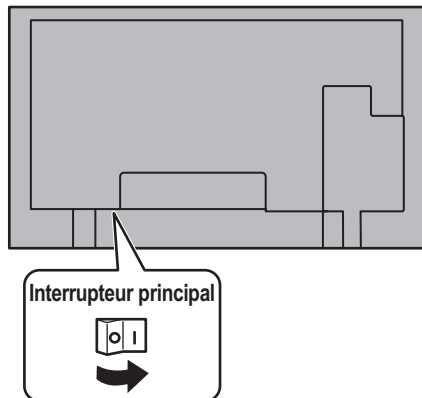
- N'exposez pas la télécommande au choc en la faisant tomber ou en marchant dessus. Ceci pourrait entraîner un dysfonctionnement.
- N'exposez pas la télécommande aux liquides, et ne la posez pas dans un endroit avec un taux d'humidité élevé.
- La télécommande peut ne pas fonctionner correctement si le capteur de télécommande est exposé à la lumière directe du soleil, ou à un éclairage puissant.
- Des objets placés entre la télécommande et le capteur de télécommande peuvent l'empêcher de fonctionner correctement.
- Remplacez les piles lorsque leurs charges baissent, car elles peuvent diminuer la portée de la télécommande.
- Si une lampe fluorescente est allumée près de la télécommande, cela peut altérer son fonctionnement.
- Ne vous servez pas de la télécommande d'un autre appareil tel qu'un conditionneur d'air ou un équipement stéréo, etc.

# Mise sous tension et hors tension

## ! Attention

- Mettez sous tension le moniteur d'abord avant de mettre sous tension le PC ou l'équipement de lecture.

## Mise sous tension de l'interrupteur principal

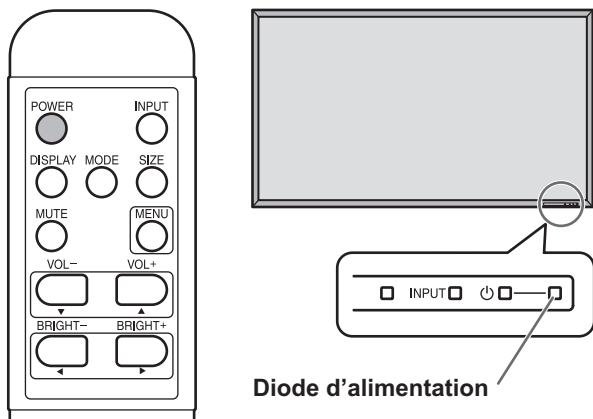


## ! Attention

- La mise sous/hors doit être effectuée à l'aide de l'interrupteur d'alimentation. Ne branchez/débranchez pas le cordon d'alimentation ou ne mettez pas le disjoncteur sous/hors tension lorsque l'interrupteur d'alimentation est en position marche.
- Lors de la mise hors tension et de la remise sous tension, ou lorsque vous appuyez sur l'interrupteur principal ou le bouton POWER, attendez toujours au moins 5 secondes.

## Mise sous/hors tension

Appuyez sur le bouton POWER pour la mise sous/hors tension. Lorsque l'interrupteur principal est mis hors tension, le moniteur ne peut pas être mis sous tension en utilisant le bouton POWER (d'alimentation) sur la télécommande.



État d'une diode d'alimentation	État du moniteur
Allumage en vert	Power en position marche
Allumage en orange	Power en position arrêt (mode Veille)
Clignotement en vert	Mode attente du signal d'entrée

## ! Attention

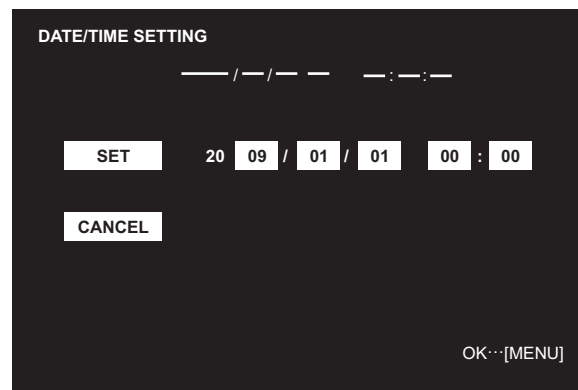
- Lors de la mise hors tension et de la remise sous tension, ou lorsque vous appuyez sur l'interrupteur principal ou le bouton POWER, attendez toujours au moins 5 secondes. Un court intervalle peut entraîner un dysfonctionnement.

## Conseils

- Si le moniteur est dans le mode veille du signal d'entrée et que vous appuyez sur le bouton POWER de la télécommande, le moniteur entre en mode veille.
- Vous pouvez mettre sous/hors tension le moniteur en appuyant sur l'interrupteur d'alimentation du panneau avant du moniteur.
- Le réglage de SCHEDULE <EMPLOI DU TEMPS> fait clignoter la diode d'alimentation alternativement en rouge et en orange dans le mode veille.

## ■ Réglage de la date/heure

- Si l'heure doit être réglée lorsque le moniteur est mis sous tension pour la première fois, l'écran de réglage de la date/heure apparaît. Réglez la date et l'heure.



1. Appuyez sur , , ou pour sélectionner la date et l'heure, puis appuyez sur ou pour changer les valeurs numériques.
  2. Sélectionnez SET <RÉGLER> puis appuyez sur .
- Assurez-vous que la date et l'heure sont réglées.
  - L'écran de réglage de la date/heure va disparaître automatiquement si aucune opération n'est réalisée pendant environ 15 secondes. La date et l'heure peuvent être réglées en utilisant DATE/TIME SETTING <RÉGLAGE DATE/HEURE> à partir du menu OPTION <OPTIONS> lorsque l'écran de réglage de la date/heure disparaît.

## Conseils

- Réglez la date dans l'ordre "Année/Mois/Jour".
- Réglez l'heure sur la base de 24 heures.
- L'horloge est alimentée par la batterie interne.
- Si vous avez déjà réglé l'heure, mais que l'écran de réglage de la date/de l'heure apparaît lors de la mise sous tension, alors la batterie est déchargée. Contactez votre revendeur Sharp ou votre centre de services local pour le remplacement de la batterie.
- Durée de vie estimée de la batterie interne : environ 5 ans (selon le fonctionnement du moniteur)
- Étant donné que la première batterie a été insérée à l'usine, elle peut être déchargée avant la fin de la durée de vie attendue.

## Neutralisation des fonctions de mise sous/hors tension

Les fonctions de mise sous/hors tension peuvent être neutralisées dans le but de protéger le moniteur d'une mise hors tension accidentelle. Réglez ADJUSTMENT LOCK <OSD VERROUILLÉ> dans le menu FUNCTION <FONCTION> sur "2". (Voir le GUIDE DE L'UTILISATEUR.)

PN-E471  
PN-E421





# MONITOR LCD

## ESPAÑOL

### INFORMACIÓN IMPORTANTE

**ADVERTENCIA:** PARA REDUCIR EL RIESGO DE INCENDIO O DESCARGAS ELÉCTRICAS, NO EXPONGA ESTE PRODUCTO A LA LLUVIA NI A LA HUMEDAD.

ESPAÑOL

 <p><b>PRECAUCIÓN</b> RIESGO DE DESCARGAS ELÉCTRICAS NO ABRIR</p> 	 <p>El símbolo del rayo con cabeza de flecha dentro de un triángulo equilátero está concebido para avisar al usuario de la presencia de “tensión peligrosa” sin aislamiento en el interior del producto que podría ser de magnitud suficiente para constituir un riesgo de descargas eléctricas a las personas.</p>
<p>PRECAUCIÓN: PARA REDUCIR EL RIESGO DE DESCARGAS ELÉCTRICAS, NO RETIRE LA TAPA. EN EL INTERIOR NO HAY PIEZAS QUE EL USUARIO PUEDA REPARAR. SOLICITE CUALQUIER REPARACIÓN A UN TÉCNICO DE SERVICIO CALIFICADO.</p>	 <p>El símbolo de exclamación dentro de un triángulo está concebido para avisar al usuario de la presencia de instrucciones importantes de uso y mantenimiento (servicio) en la documentación que acompaña al producto.</p>

**PRECAUCIÓN:** La toma de corriente deberá estar instalada cerca del equipo y ser accesible fácilmente.

**PRECAUCIÓN:** Utilice el cable de alimentación suministrado.

Este producto utiliza tubos fluorescentes que contienen una pequeña cantidad de mercurio. El vertido de estos materiales puede estar regulado por cuestiones medioambientales. Para obtener información sobre el vertido o reciclado, póngase en contacto con las autoridades locales.

# INFORMACIÓN IMPORTANTE (Continuación)

## ADVERTENCIA:

La normativa de la FCC establece que cualquier cambio o modificación no autorizados en este equipo y no aprobados expresamente por el fabricante podrían anular el derecho del usuario a utilizar el equipo.

## NOTA:

Este equipo ha sido probado y es conforme a los límites para dispositivos digitales de la Clase A, de acuerdo con la Parte 15 de la normativa de la FCC. Dichos límites están diseñados para proporcionar una protección razonable frente a interferencias nocivas cuando se utilice el equipo en un entorno comercial. Este equipo genera, utiliza y puede irradiar energía de radiofrecuencia y, si no se instala y usa de acuerdo con el manual de instrucciones, puede causar interferencias molestas en las comunicaciones de radio. El empleo de este equipo en zonas residenciales puede provocar interferencias molestas, en cuyo caso el usuario deberá corregir dichas interferencias por su cuenta.

Este producto utiliza soldadura de estaño y plomo y una lámpara fluorescente que contiene una pequeña cantidad de mercurio. El vertido de estos materiales puede estar regulado por cuestiones medioambientales. Para obtener información sobre el vertido o reciclado, póngase en contacto con las autoridades locales, la Electronics Industries Alliance: [www.eiae.org](http://www.eiae.org), la organización de reciclado de lámparas: [www.lamprecycle.org](http://www.lamprecycle.org) o Sharp en el 1-800-BE-SHARP (Sólo para los EE.UU.)

Este producto contiene una pila de litio CR de tipo botón que contiene perclorato, un material que podría requerir un tratamiento especial. Los residentes de California deberán consultar [www.dtsc.ca.gov/hazardouswaste/perchlorate/](http://www.dtsc.ca.gov/hazardouswaste/perchlorate/)

EE.UU. SÓLO



**Atención:** su producto está marcado con este símbolo. Significa que los productos eléctricos y electrónicos usados no deberían mezclarse con los residuos domésticos generales. Existe un sistema de recogida independiente para estos productos.

## A. Información sobre eliminación para usuarios particulares

### 1. En la Unión Europea

Atención: si quiere desechar este equipo, ¡por favor no utilice el cubo de la basura habitual!

Los equipos eléctricos y electrónicos usados deberían tratarse por separado de acuerdo con la legislación que requiere un tratamiento, una recuperación y un reciclaje adecuados de los equipos eléctricos y electrónicos usados.

Tras la puesta en práctica por parte de los estados miembros, los hogares de particulares dentro de los estados de la Unión Europea pueden devolver sus equipos eléctricos y electrónicos a los centros de recogida designados sin coste alguno\*.

En algunos países\* es posible que también su vendedor local se lleve su viejo producto sin coste alguno si Ud. compra uno nuevo similar.

\*) Por favor, póngase en contacto con su autoridad local para obtener más detalles.

Si sus equipos eléctricos o electrónicos usados tienen pilas o acumuladores, por favor deséchelos por separado con antelación según los requisitos locales.

Al desechar este producto correctamente, ayudará a asegurar que los residuos reciban el tratamiento, la recuperación y el reciclaje necesarios, previniendo de esta forma posibles efectos negativos en el medio ambiente y la salud humana que de otra forma podrían producirse debido a una manipulación de residuos inapropiada.

### 2. En otros países fuera de la Unión Europea

Si desea desechar este producto, por favor póngase en contacto con las autoridades locales y pregunte por el método de eliminación correcto.

Para Suiza: los equipos eléctricos o electrónicos pueden devolverse al vendedor sin coste alguno, incluso si no compra ningún nuevo producto. Se puede encontrar una lista de otros centros de recogida en la página principal de [www.swico.ch](http://www.swico.ch) o [www.sens.ch](http://www.sens.ch).

## B. Información sobre eliminación para empresas usuarias

### 1. En la Unión Europea

Si el producto se utiliza en una empresa y quiere desecharlo:

Por favor póngase en contacto con su distribuidor SHARP, quien le informará sobre la recogida del producto. Puede ser que le cobren los costes de recogida y reciclaje. Puede ser que los productos de tamaño pequeño (y las cantidades pequeñas) sean recogidos por sus centros de recogida locales.

Para España: por favor, póngase en contacto con el sistema de recogida establecido o con las autoridades locales para la recogida de los productos usados.

### 2. En otros países fuera de la Unión Europea

Si desea desechar este producto, por favor póngase en contacto con sus autoridades locales y pregunte por el método de eliminación correcto.

# INFORMACIÓN IMPORTANTE (Continuación)



Las baterías suministradas con este producto contienen pequeñas cantidades de Plomo.

Para EU:

El contenedor de basura con ruedas tachado indica que las baterías usadas no deberían mezclarse con los residuos domésticos generales. Existe un sistema de recogida independiente de baterías usadas, para permitir un correcto tratamiento y reciclado de acuerdo con la legislación vigente. Por favor póngase en contacto con el sistema de recogida establecido o con las autoridades locales para la recogida selectiva de las baterías usadas.

Para Suiza:

Las baterías usadas deben ser retornadas al punto de venta.

Para otros países fuera de la Unión Europea:

Por favor póngase en contacto con las autoridades locales para un correcto procedimiento de eliminación de las baterías usadas.

## “ELIMINACIÓN DE PILAS”

ESTE PRODUCTO CONTIENE UNA PILA DE LITIO (DIÓXIDO DE MANGANESO) A EFECTOS DE SEGURIDAD DE LA MEMORIA QUE HA DE DESECHARSE DEL MODO ADECUADO. PÓNGASE EN CONTACTO CON SU DISTRIBUIDOR O REPRESENTANTE DE SERVICIO AUTORIZADO LOCAL DE SHARP PARA OBTENER ASISTENCIA SOBRE LA ELIMINACIÓN DE ESTA PILA.

EE.UU. Y CANADÁ SÓLO

ESPAÑOL

## ESTIMADO CLIENTE DE SHARP

Gracias por adquirir un producto LCD de SHARP. Para garantizar la seguridad y muchos años de funcionamiento sin problemas, lea atentamente las Precauciones de seguridad antes de utilizar este producto.

## PRECAUCIONES DE SEGURIDAD

La electricidad se emplea para muchas funciones útiles pero también puede causar lesiones personales y daños en la propiedad si se manipula de forma inadecuada. Este producto se ha diseñado y fabricado poniendo el máximo énfasis en la seguridad. No obstante, el uso inadecuado podría tener como resultado descargas eléctricas y/o incendios. Para evitar peligros potenciales, observe las siguientes instrucciones cuando instale, utilice y limpie el producto. Para garantizar su seguridad y prolongar la vida de servicio de su producto de LCD, lea atentamente las siguientes precauciones antes de usar el producto.

1. Lea las instrucciones — Todas las instrucciones operativas deberán leerse y comprenderse antes de utilizar el producto.
2. Mantenga este manual en un lugar seguro — Estas instrucciones de seguridad y operativas deberán guardarse en un lugar seguro para referencia en el futuro.
3. Tenga en cuenta las advertencias — Todas las advertencias e instrucciones del producto deberán observarse estrictamente.
4. Respete las instrucciones — Deberán respetarse todas las instrucciones operativas.
5. Limpieza — Desenchufe el cable de alimentación de la toma de alimentación de corriente antes de limpiar el producto. Utilice un paño seco para limpiar el producto. No emplee limpiadores líquidos ni aerosoles.
6. Accesorios — No utilice accesorios no recomendados por el fabricante. El empleo de accesorios inadecuados podría provocar accidentes.
7. Agua y humedad — No utilice el producto cerca del agua. No instale este producto en lugares donde puedan producirse salpicaduras de agua. Preste especial atención a equipos que drenen agua, por ejemplo los de aire acondicionado.
8. Ventilación — Los respiraderos y otras ranuras de la caja están diseñados para ventilación. No cubra ni bloquee dichos respiraderos y ranuras, ya que la ventilación insuficiente podría provocar sobrecalentamiento y/o acortar la vida operativa del producto. No coloque el producto sobre un sofá, una alfombra u otras superficies similares ya que se podrían bloquear las ranuras de ventilación. No coloque el producto en un lugar cerrado como, por ejemplo, una librería o una estantería, a menos que se proporcione una ventilación adecuada o se respeten las instrucciones del fabricante.
9. Protección del cable de alimentación — Los cables de alimentación deberán ubicarse adecuadamente para evitar que las personas puedan tropezar con ellos o que los objetos puedan descansar sobre éstos.
10. El panel de LCD utilizado en este producto está hecho de cristal. Consiguientemente, podría romperse si el producto cae al suelo o recibe un golpe. Tenga cuidado de no herirse con los trozos de cristal en caso de rotura del panel de LCD.
11. Sobrecarga — No sobrecargue las tomas de corriente ni los cables alargadores o regletas. La sobrecarga podría provocar incendios o descargas eléctricas.
12. Introducción de objetos y líquidos — No inserte nunca objetos en el producto a través de los respiraderos o las ranuras de ventilación. El producto tiene altas tensiones en su interior y la inserción de objetos podría provocar descargas eléctricas y/o cortocircuitar los componentes internos. Por la misma razón, no derrame agua o líquidos sobre el producto.
13. Servicio — No intente reparar usted mismo el producto. La retirada de las tapas podría exponerle a alto voltaje y otras circunstancias peligrosas. Solicite cualquier reparación a un técnico de servicio calificado.

# PRECAUCIONES DE SEGURIDAD (Continuación)

14. Reparación — Si se produjera cualquiera de las circunstancias siguientes, desenchufe el cable de alimentación de la toma de corriente y solicite la reparación a un técnico de servicio calificado.
  - a. Cuando el cable de alimentación o el enchufe esté dañado.
  - b. Cuando se haya derramado un líquido sobre el producto o hayan caído objetos al interior del producto.
  - c. Cuando se haya expuesto el producto a la lluvia o al agua.
  - d. Cuando el producto no funcione correctamente según lo descrito en las instrucciones operativas. No toque ningún control aparte de los descritos en las instrucciones de uso. El ajuste inadecuado de controles no descritos en las instrucciones podría provocar daños, lo que a menudo requiere un trabajo importante de ajuste por parte de un técnico calificado.
  - e. Cuando el producto haya caído al suelo o se haya dañado.
  - f. Cuando el producto presente un estado anormal. Cualquier anomalía perceptible en el producto indicará que éste necesita servicio.
15. Repuestos — En caso de que el producto necesite repuestos, asegúrese de que el técnico de servicio utiliza las piezas de sustitución especificadas por el fabricante, o unas con las mismas características y rendimiento que las piezas originales. El uso de piezas no autorizadas podría tener como resultado incendio, descargas eléctricas y/u otros daños.
16. Comprobaciones de seguridad — Tras la finalización del trabajo de servicio o reparación, solicite al técnico de servicio que lleve a cabo comprobaciones de seguridad para asegurarse de que el producto se encuentra en perfectas condiciones de funcionamiento.
17. Montaje mural — Cuando monte el producto sobre una pared, asegúrese de instalarlo de acuerdo con el método recomendado por el fabricante.
18. Fuentes de calor — Mantenga el producto alejado de fuentes de calor como pueden ser radiadores, calentadores, estufas y otros productos que generen calor (incluyendo amplificadores).
19. Pilas — El uso incorrecto de las pilas podría causar la explosión o ignición de las mismas. Las fugas de las pilas pueden oxidar el equipo y ensuciarle las manos o la ropa. Para evitar estos problemas, asegúrese de observar las siguientes precauciones:
  - Utilice únicamente las pilas especificadas.
  - Instale las pilas con la polaridad apropiada de las mismas (+) y (-) de acuerdo con las indicaciones del compartimento.
  - No mezcle pilas viejas y nuevas.
  - No mezcle pilas de distintos tipos. Las especificaciones de voltaje de pilas con la misma forma pueden variar.
  - Sustituya las pilas gastadas por unas nuevas a la mayor brevedad.
  - Extraiga las pilas si no piensa utilizar el control remoto durante un período de tiempo prolongado.
  - Si el líquido de pilas con fugas entrara en contacto con la piel o la ropa, lave inmediatamente con agua abundante. Si le entrara en los ojos, láveselos abundantemente sin frotar y acuda inmediatamente al médico. El contacto de líquido de las pilas con los ojos o la ropa podría causar irritación de la piel o daños oculares.
20. El monitor no deberá utilizarse en lugares con riesgos o peligros fatales que pudieran provocar directamente la muerte, lesiones personales, daños físicos graves u otras pérdidas, incluyendo control de reacción nuclear en instalaciones nucleares, sistemas médicos de soporte vital y control de lanzamiento de misiles en sistemas armamentísticos.
21. No permanezca en contacto durante períodos prolongados de tiempo con componentes del producto que se recalienten. Podrían producirse quemaduras de baja temperatura.

## ADVERTENCIA:

Éste es un producto de clase A. En un entorno doméstico, este producto puede causar interferencias de radio, en cuyo caso el usuario deberá adoptar las medidas adecuadas para solucionar el problema.

Para mantener la conformidad con la normativa sobre compatibilidad electromagnética (EMC), utilice cables apantallados para la conexión a los siguientes terminales: terminal de salida de PC/AV DVI-D, terminal de entrada PC/AV DVI-D, terminal de entrada PC/AV HDMI, terminal de entrada PC D-sub, terminales de entrada PC RGB y terminales de entrada/salida RS-232C.

Si el monitor no se coloca en una ubicación lo suficientemente estable, podría resultar potencialmente peligroso debido al riesgo de caída. Muchas lesiones, especialmente a los niños, pueden evitarse adoptando precauciones sencillas como pueden ser:

- Utilizar dispositivos de fijación como pueden ser soportes de montaje mural recomendados por el fabricante.
- Emplear únicamente muebles que puedan soportar de forma segura el monitor.
- Asegurarse de que el monitor no sobresale del borde del mueble que sirve de apoyo.
- No colocar el monitor sobre muebles altos (por ejemplo, armarios o librerías) sin anclar el mueble y el monitor a un soporte adecuado.
- No colocar los monitores sobre paños u otros materiales ubicados entre el monitor y el mueble de apoyo.
- Educar a los niños sobre los peligros de trepar a los muebles para llegar al monitor o a sus controles.

## Especialmente para la seguridad de los niños

- No permita que los niños trepen al monitor o jueguen con éste.
- No coloque el monitor sobre muebles que se puedan usar como peldaños, como pueden ser los cajones de una cómoda.
- Recuerde que los niños se pueden agitar mientras ven un programa, especialmente en un monitor en el que las cosas se ven "más grandes que en la vida real". Deberá tenerse cuidado de colocar o instalar el monitor en lugares en los que no se pueda empujar, mover o tirar al suelo.
- Deberá procurarse enrutar todos los cables conectados al monitor de modo que los niños curiosos no puedan tirar de ellos ni agarrarlos.

# CONSEJOS E INSTRUCCIONES DE SEGURIDAD

- El panel de LCD en color TFT utilizado en este monitor se fabrica aplicando tecnología de alta precisión. Sin embargo, podría haber puntos diminutos en la pantalla en los que los píxeles no se iluminen nunca o estén iluminados permanentemente. Asimismo, si la pantalla se visualiza desde un ángulo importante, podrían percibirse colores o brillos irregulares. Obsérvese que no se trata de malfuncionamientos sino de fenómenos comunes de los productos de LCD y que no afectan al rendimiento del monitor.
- No visualice una imagen fija durante un período de tiempo prolongado, ya que esto podría causar una imagen residual.
- No frote ni golpee nunca el monitor con objetos duros.
- Tenga en cuenta que SHARP CORPORATION no se responsabiliza por los errores cometidos durante el uso por parte del cliente o terceras personas ni por cualquier otro malfuncionamiento o daño en este producto que pudiera surgir durante la utilización, salvo cuando la responsabilidad de indemnización esté reconocida legalmente.
- Este monitor y sus accesorios podrían actualizarse sin previo aviso.
- No emplee el monitor en lugares con un nivel elevado de polvo o humedad ni donde éste pueda entrar en contacto con aceite o vapor, ya que esto podría provocar un incendio.
- Asegúrese de que el monitor no entra en contacto con agua ni otros líquidos. Asegúrese de no introducir en el monitor objetos como pueden ser clips o chinchetas, ya que esto podría causar incendios o descargas eléctricas.
- No coloque el monitor encima de objetos inestables ni en lugares inseguros. No permita que el monitor reciba golpes fuertes ni que vibre demasiado. La caída o pérdida de equilibrio del monitor podría dañarlo.
- No utilice el monitor cerca de aparatos de calefacción ni en lugares donde puedan existir temperaturas elevadas, ya que esto podría conducir a la generación de calor excesivo y provocar un incendio.
- En este monitor no es posible girar las imágenes. Cuando se utilice en orientación vertical, deberá preparar adecuadamente el contenido orientado de antemano. (PN-E471 no puede utilizarse en orientación vertical.)

## Cable de alimentación

- No dañe el cable de alimentación ni coloque objetos pesados sobre el mismo. No lo estire ni lo doble excesivamente. Tampoco añada cables alargadores ni regletas. Si el cable se daña, podrían producirse incendios o descargas eléctricas.
- Emplee únicamente el cable de alimentación suministrado con el monitor.
- No utilice el cable de alimentación con una regleta. La adición de un cable alargador o una regleta podría causar un incendio por sobrecalentamiento.
- No retire ni inserte el enchufe con las manos mojadas. Podrían producirse descargas eléctricas.
- Desenchufe el cable de alimentación si no piensa utilizar el equipo durante un período de tiempo prolongado.
- No intente reparar el cable de alimentación si éste está roto o no funciona adecuadamente. Solicite cualquier reparación al representante de servicio técnico autorizado.

## Ámbito del manual

- Microsoft, Windows e Internet Explorer son marcas registradas de Microsoft Corporation.
- HDMI, el logotipo de HDMI y High-Definition Multimedia Interface son marcas comerciales o registradas de HDMI Licensing LLC.
- Adobe, Acrobat y Reader son marcas registradas o comerciales de Adobe Systems Incorporated en los Estados Unidos y/o en otros países.
- Este producto incorpora las fuentes de mapa de bits RICOH producidas y vendidas por RICOH COMPANY, LTD.
- Todos los demás nombres de marcas y productos son marcas comerciales o marcas registradas de sus respectivos propietarios.
- El idioma del menú OSD utilizado en este manual como ejemplo es el inglés.
- Las ilustraciones de este manual podrían no representar exactamente el producto o la visualización reales.
- En este manual se sobreentiende el uso del producto en orientación horizontal, salvo cuando se indique específicamente lo contrario.

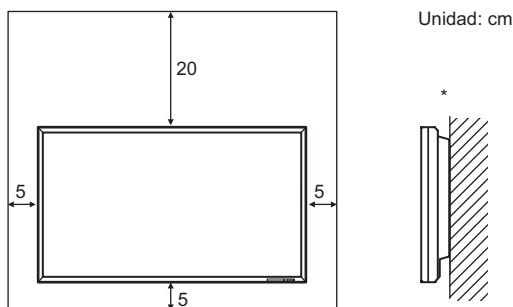
## Tubos fluorescentes

- Los tubos fluorescentes de este producto tienen una vida útil limitada.
  - \* Si la pantalla se oscurece, parpadea o no se enciende, podría ser necesario cambiar los tubos fluorescentes. Dichos tubos fluorescentes son exclusivos para este producto y deberán ser sustituidos por un distribuidor o servicio técnico autorizado de Sharp.
  - \* Póngase en contacto con su distribuidor o servicio técnico local de Sharp para obtener ayuda.
- Debido a las propiedades de los tubos fluorescentes, la pantalla podría parpadear durante el período de uso inicial. Si se da esta circunstancia, apague el interruptor primario del monitor y enciéndalo de nuevo al cabo de 5 segundos como mínimo para confirmar el funcionamiento.

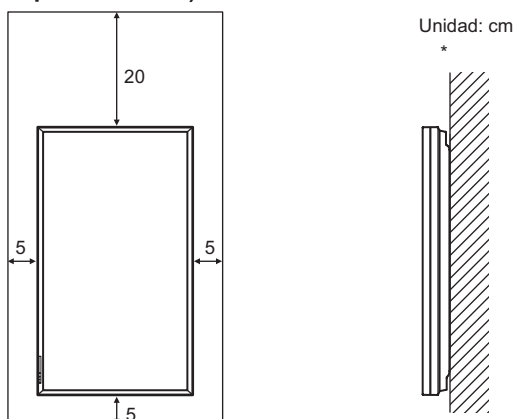
# PRECAUCIONES DE MONTAJE

- Este monitor es pesado. Por consiguiente, consulte a su distribuidor antes de instalar, desinstalar o trasladar el monitor.
- Cuando instale, desinstale o traslade el monitor, asegúrese de agarrarlo entre 2 personas como mínimo.
- Se requiere un soporte de montaje en conformidad con las especificaciones VESA. No utilice orificios de tornillos que no sean orificios VESA para la instalación.
- Cuando traslade el monitor, asegúrese de sujetarlo por las asas de la parte posterior e inferior de la unidad. No lo agarre por el panel de LCD. Esto podría provocar daños en el producto, fallos o lesiones.
- Instale el monitor con la superficie perpendicular a una superficie nivelada. Si fuera necesario, el monitor podrá inclinarse un máximo de 20 grados hacia arriba o hacia abajo.
- El montaje mural del monitor requiere un soporte especial y el trabajo deberá ser efectuado por un distribuidor autorizado de SHARP. Nunca deberá intentar realizar este trabajo usted mismo. Nuestra empresa no se hace responsable en caso de accidentes o lesiones causados por un montaje o una manipulación inadecuados.
- Este monitor deberá utilizarse a una temperatura ambiente de entre 0 y 40°C. Proporcione espacio suficiente alrededor del monitor para evitar que el calor se acumule en su interior.
- Si fuera difícil proporcionar suficiente espacio por cualquier razón, como puede ser la instalación del monitor dentro de una carcasa, o si la temperatura ambiente pudiera estar fuera del rango de 0 a 40°C, instale un ventilador o adopte otras medidas para mantener la temperatura ambiente dentro del rango necesario.
- Las condiciones de temperatura podrían cambiar al utilizar la pantalla conjuntamente con los equipos opcionales recomendados por SHARP. En dichos casos, compruebe las condiciones de temperatura especificadas por los equipos opcionales.
- PN-E471 no puede utilizarse en orientación vertical.
- Respete lo siguiente cuando instale el monitor en orientación vertical. El incumplimiento de las siguientes medidas podría provocar malfuncionamientos. (sólo para PN-E421)
  - Instale el monitor de modo que el LED indicador de conexión quede ubicado en la parte inferior.
  - Establezca la opción MONITOR del menú SETUP <INSTALACIÓN> en PORTRAIT <MODO VERTICAL>. (Consulte la Guía de uso.)
- No bloquee ninguna ranura de ventilación. Si la temperatura del interior del monitor aumentara, podrían producirse malfuncionamientos.
- Una vez efectuado el montaje, asegúrese de que el monitor está instalado de forma segura y que no se puede aflojar de la pared o el soporte.
- No coloque el monitor sobre un dispositivo que genere calor.
- Utilice la etiqueta vertical suministrada cuando instale el monitor en orientación vertical. (sólo para PN-E421)

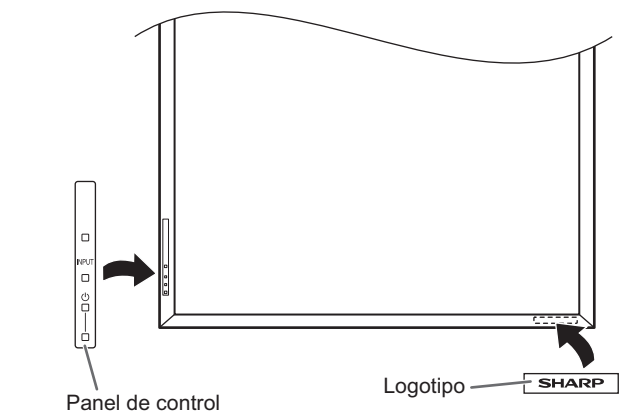
## Para el monitor en orientación horizontal



## Para el monitor en orientación vertical (sólo para PN-E421)



\* El monitor puede instalarse cerca de una pared. No obstante, tenga en cuenta que el monitor emite calor durante el funcionamiento, por lo que podría decolorar o alterar la pared.



No retire la etiqueta fijada de fábrica. En su lugar, pegue la etiqueta del logotipo sobre ella. Tenga cuidado de no cubrir el sensor de control remoto ni los botones.

- Asegúrese de utilizar un soporte de montaje mural diseñado para la instalación del monitor.
- Este monitor está diseñado para su instalación sobre un muro o pilar de hormigón. Tal vez resulte necesario realizar un trabajo de refuerzo para ciertos materiales como pueden ser yeso, paneles de plástico finos o madera antes de iniciar la instalación.

Este monitor y el soporte deberán instalarse en una pared con una resistencia de al menos 4 veces el peso del monitor. Realice la instalación mediante el método más adecuado para el material y la estructura.

- Cuando conecte un componente opcional, siga los pasos descritos en el manual de dicho componente.
- Para uso con Soportes de montaje mural listados por la UL con peso o carga mínimos de: PN-E471: 102 kg, PN-E421: 88 kg.



# Índice

<b>INFORMACIÓN IMPORTANTE</b> .....	1	<b>Fijación de las tapas de protección de los orificios del pedestal</b> .....	11
<b>ESTIMADO CLIENTE DE SHARP</b> .....	3	<b>Preparación del control remoto</b> .....	11
<b>PRECAUCIONES DE SEGURIDAD</b> .....	3	Instalación de las pilas .....	11
<b>CONSEJOS E INSTRUCCIONES DE SEGURIDAD</b> .....	5	Distancia operativa del control remoto .....	11
<b>PRECAUCIONES DE MONTAJE</b> .....	6	<b>Encendido/apagado</b> .....	12
<b>Componentes suministrados</b> .....	7	Encendido de la alimentación principal .....	12
<b>Conexión de equipos periféricos</b> .....	8	Encendido/apagado .....	12
Conexión con un PC o equipos de AV .....	8	Desactivación de las operaciones de encendido/apagado .....	12
Conexión cuando esté instalada la placa PN-ZB01 (opcional) .....	9		
<b>Conexión del cable de alimentación</b> .....	10		
<b>Fijación de los cables</b> .....	10		
<b>Retirada de las asas</b> .....	10		

Este manual contiene instrucciones relativas a la conexión y a la instalación.

Para otras instrucciones, consulte los manuales de instrucciones incluidos dentro de la carpeta "manual" del CD-ROM suministrado.

Para poder ver los manuales de instrucciones, se necesita Adobe Reader.

## Componentes suministrados

Si falta algún componente, póngase en contacto con su distribuidor.

- Monitor de pantalla de cristal líquido: 1
- Control remoto: 1
- Abrazadera para cable: 2
- Cable de alimentación
- Pila de tamaño "R-03" (tamaño "AAA"): 2
- CD-ROM (Disco de utilidades para Windows): 1
- Manual de instrucciones: 1
- Tapa de protección de orificio del pedestal: 2
- Etiqueta vertical (Panel de control): 1 (sólo para PN-E421)
- Etiqueta vertical (Logotipo): 1 (sólo para PN-E421)
- Etiqueta en blanco: 1

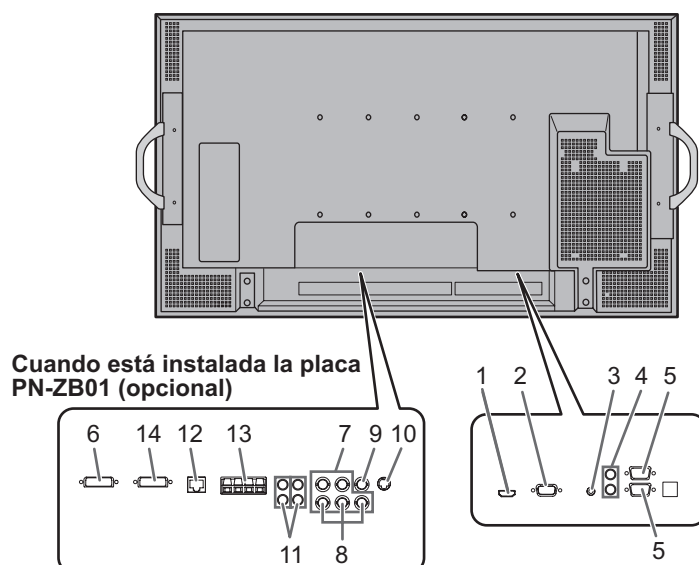
Coloque una etiqueta en blanco sobre el logotipo de SHARP para tapar el logotipo.

\* Sharp Corporation posee los derechos de autor del programa Disco de utilidades. No lo reproduzca sin permiso.

\* ¡Para protección medioambiental!

No vierta las pilas en la basura doméstica. Respete la normativa de vertido local.

# Conexión de equipos periféricos



## Precaución

- Asegúrese de apagar el interruptor primario y desconectar el enchufe de la toma de corriente antes de conectar/desconectar los cables. Asimismo, lea el manual del equipo que desea conectar.
- Tenga cuidado de no confundir el terminal de entrada con el terminal de salida al conectar los cables. La inversión accidental de los cables conectados a los terminales de entrada y salida podría causar malfuncionamientos y otros problemas.

## CONSEJOS

- Las imágenes podrían no visualizarse correctamente dependiendo del ordenador (tarjeta de vídeo) que se conecte.
- Una pantalla con una resolución de 1920 x 1080 podría no visualizarse correctamente en PC RGB. En este caso, compruebe la configuración de su ordenador (tarjeta de vídeo) para verificar que las señales de entrada son conformes a las especificaciones de este monitor. (Consulte la Guía de uso.)
- Si existe una casilla de verificación para desactivar EDID en el panel de control de visualización, márkela cuando utilice PC RGB.
- Emplee el ajuste automático de la pantalla cuando visualice una pantalla de PC por vez primera utilizando PC D-SUB o PC RGB o cuando cambie la configuración del PC. La pantalla se ajustará automáticamente cuando SELF ADJUST <AUTO AJUSTE> en el menú OPTION <OPCIONES> esté establecido en ON <SÍ>.
- Si la salida de audio del dispositivo de reproducción se conecta directamente a los altavoces o a otros aparatos, el vídeo del monitor podría aparecer retardado respecto a la parte de audio. El audio deberá reproducirse a través de este monitor conectando el dispositivo de reproducción a la entrada de audio del monitor y la salida de audio del monitor a los altavoces u otros aparatos.
- Los terminales de entrada de audio utilizados en cada uno de los modos de entrada están configurados de fábrica del modo siguiente.

Modo de entrada	Terminal de entrada de audio (ajuste de fábrica)
PC D-SUB, PC DVI-D, PC RGB	Terminal de entrada de audio
AV DVI-D	Terminal de entrada Audio1
AV COMPONENT, AV S-VIDEO, AV VIDEO	Terminal de entrada Audio2
PC HDMI, AV HDMI	Terminal de entrada PC/AV HDMI

## Conexión con un PC o equipos de AV

### 1. Terminal de entrada PC/AV HDMI

- Use un cable de HDMI de venta en comercios (conforme a la norma HDMI) para el terminal de entrada PC/AV HDMI.
- Establezca HDMI de INPUT SELECT <SELECCIÓN DE ENTRADA> en el menú OPTION <OPCIONES> de acuerdo con el dispositivo que desea conectar.
- Seleccione el terminal de entrada de audio que se utilizará en PC HDMI o AV HDMI de AUDIO SELECT <SELECCIÓN DE AUDIO> en el menú OPTION <OPCIONES>. Cuando se seleccione HDMI, la conexión al terminal de entrada de audio será innecesaria.

### 2. Terminal de entrada PC D-sub

- Cuando esté instalada la placa PN-ZB01 (opcional), seleccione el terminal de entrada de audio que se utilizará en PC D-SUB de AUDIO SELECT <SELECCIÓN DE AUDIO> en el menú OPTION <OPCIONES>.

### 3. Terminal de entrada de audio

- Use un cable de audio sin resistencia.
- Cuando esté instalada la placa PN-ZB01 (opcional), establezca el terminal de entrada de audio utilizado para cada modo de entrada en AUDIO SELECT <SELECCIÓN DE AUDIO> en el menú OPTION <OPCIONES>.

### 4. Terminales de salida de audio

- El sonido de salida variará dependiendo del modo de entrada.
- El volumen del sonido de salida puede fijarse estableciendo AUDIO OUTPUT <SALIDA DE AUDIO> en el menú OPTION <OPCIONES>.
- No será posible controlar la salida de sonido de los terminales de salida de audio con el menú AUDIO.

### 5. Terminal de entrada RS-232C

#### Terminal de salida RS-232C

- Podrá controlar el monitor desde un PC conectando un cable recto RS-232 de venta en comercios entre estos terminales y el PC.

### Conexión cuando esté instalada la placa PN-ZB01 (opcional)

La placa de expansión PN-ZB01 (opcional) permite el uso de terminales de conexión adicionales.

#### 6. Terminal de entrada PC/AV DVI-D

- Establezca DVI de INPUT SELECT <SELECCIÓN DE ENTRADA> en el menú OPTION <OPCIONES> de acuerdo con el dispositivo que desea conectar.
- Seleccione el terminal de entrada de audio que se utilizará en PC DVI-D o AV DVI-D de AUDIO SELECT <SELECCIÓN DE AUDIO> en el menú OPTION <OPCIONES>.

#### 7. Terminales de entrada PC RGB

- Establezca BNC de INPUT SELECT <SELECCIÓN DE ENTRADA> en el menú OPTION <OPCIONES> en PC RGB cuando utilice los terminales de entrada PC RGB.
- Seleccione el terminal de entrada de audio que se utilizará en PC RGB de AUDIO SELECT <SELECCIÓN DE AUDIO> en el menú OPTION <OPCIONES>.

#### 8. Terminales de entrada AV component

- Establezca BNC de INPUT SELECT <SELECCIÓN DE ENTRADA> en el menú OPTION <OPCIONES> en AV COMPONENT cuando utilice los terminales de entrada AV component.
- Seleccione el terminal de entrada de audio que se utilizará en AV COMPONENT de AUDIO SELECT <SELECCIÓN DE AUDIO> en el menú OPTION <OPCIONES>.

#### 9. Terminal de entrada AV video

- Seleccione el terminal de entrada de audio que se utilizará en AV VIDEO de AUDIO SELECT <SELECCIÓN DE AUDIO> en el menú OPTION <OPCIONES>.

#### 10. Terminal de entrada AV S-video

- Seleccione el terminal de entrada de audio que se utilizará en AV S-VIDEO de AUDIO SELECT <SELECCIÓN DE AUDIO> en el menú OPTION <OPCIONES>.

#### 11. Terminales de entrada Audio1 / Audio2

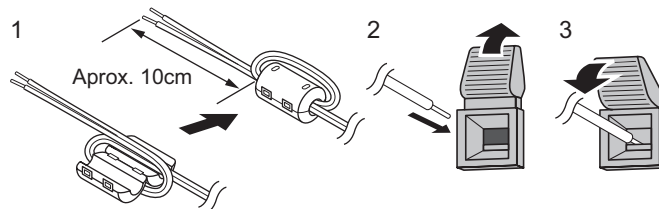
- Establezca el terminal de entrada de audio que se utilizará en cada modo de entrada en AUDIO SELECT <SELECCIÓN DE AUDIO> en el menú OPTION <OPCIONES>.

#### 12. Terminal de LAN

- Podrá controlar el monitor desde un PC en una red conectando un cable de LAN de venta en comercios entre este terminal y la red.

#### 13. Terminales de altavoces externos

- Para utilizar altavoces externos, establezca SPEAKER SELECT <SELECTOR DE ALTAVOZ> en el menú SETUP <INSTALACIÓN> en EXTERNAL <EXTERNO>.
- Asegúrese de utilizar altavoces externos con una impedancia de 6  $\Omega$  o más y una entrada nominal de al menos 10 W.



1. Acople una clavija para cables de altavoces (incluida con la placa PN-ZB01) al extremo del cable de altavoces conectado al monitor.
2. Empujando la patilla, inserte la punta del cable.
3. Libere la patilla.

#### CONSEJOS

- Asegúrese de conectar los terminales + y - y los altavoces izquierdo y derecho correctamente.
- Evite cortocircuitar los terminales + y -.
- Cuando SPEAKER SELECT <SELECTOR DE ALTAVOZ> esté establecida en EXTERNAL <EXTERNO>, los altavoces externos estarán desactivados.

#### 14. Terminal de salida PC/AV DVI-D

- El vídeo de la entrada PC/AV DVI-D puede enviarse a un dispositivo externo.
- La salida de vídeo codificado HDCP requiere un dispositivo externo compatible con HDCP.
- Este terminal permite la conexión en cadena de hasta 5 monitores.

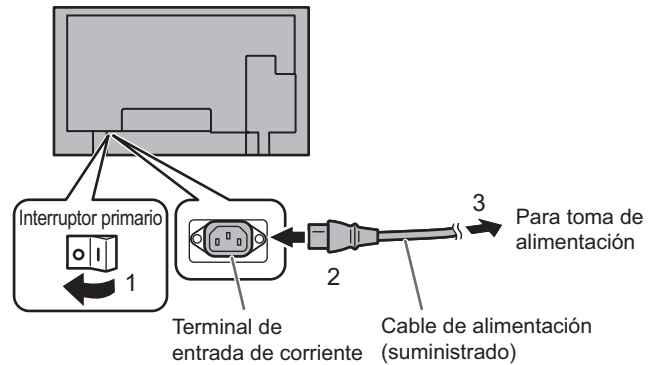
#### CONSEJOS

- La longitud de los cables de señal y el entorno circundante podrían afectar a la calidad de imagen.
- La pantalla podría no visualizarse correctamente si se usan terminales distintos de PC DVI-D/AV DVI-D para el modo de entrada. En este caso, apague todos los monitores conectados en serie y, a continuación, enciéndalos de nuevo.
- Cuando se conecten monitores en serie, establezca AUTO INPUT CHANGE <CAMBIO ENTRADA AUTOMÁTICO> en OFF <NO>.
- La salida de vídeo estará desactivada en los casos siguientes:  
 Cuando el modo de entrada sea PC HDMI/AV HDMI  
 Cuando PIP SOURCE <PIP FUENTE> del menú PIP/PbyP esté establecida en PC HDMI o AV HDMI  
 Cuando la alimentación esté apagada  
 Cuando el monitor esté en el modo de espera de señal de entrada

# Conexión del cable de alimentación

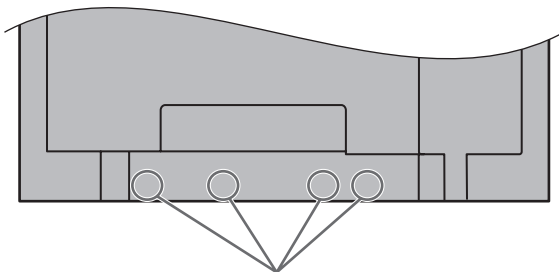
## ⚠ Precaución

- No utilice un cable de alimentación distinto del suministrado con el monitor.
1. Apague el interruptor primario.
  2. Enchufe el cable de alimentación (suministrado) al terminal de entrada de corriente.
  3. Enchufe el cable de alimentación (suministrado) a la toma de alimentación de corriente.



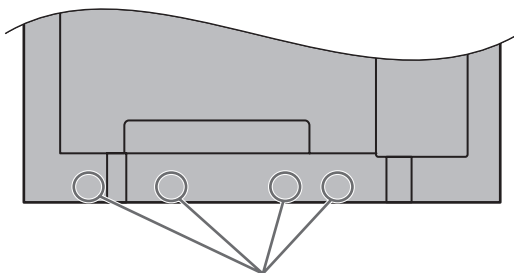
# Fijación de los cables

[PN-E471]



Acoplamiento de abrazadera para cable

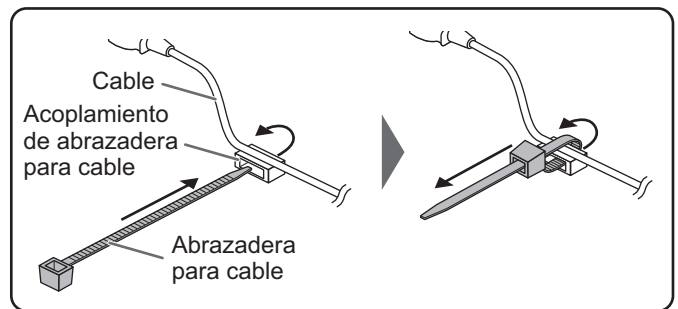
[PN-E421]



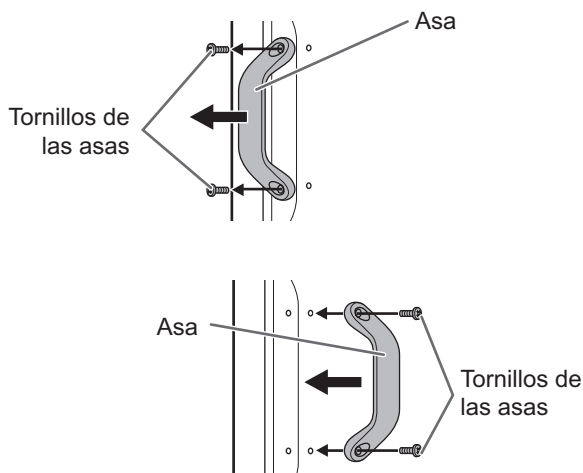
Acoplamiento de abrazadera para cable

Los cables conectados a los terminales de la parte posterior de monitor pueden apretarse con la abrazadera para cable.

Inserte la abrazadera para cable en el acoplamiento de abrazadera para cable de la parte posterior del monitor y apriete los cables.



# Retirada de las asas



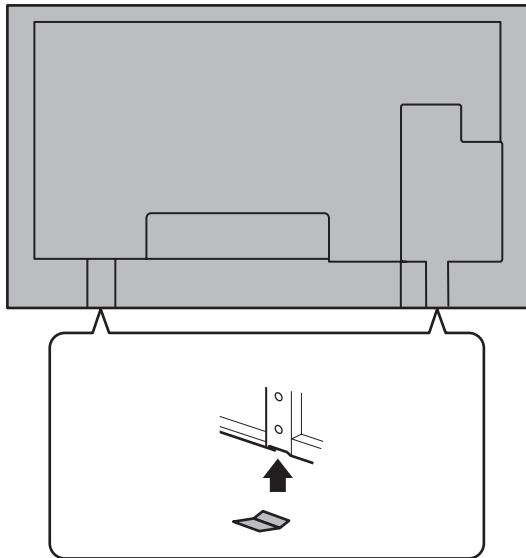
Las asas pueden quitarse.

Las asas retiradas pueden acoplarse en la parte posterior.

## ⚠ Precaución

- Las asas y los tornillos de las asas retirados son para uso con este monitor. No los emplee con ningún otro dispositivo.
- Para acoplar las asas, asegúrese de utilizar las asas y los tornillos de las asas que se retiraron del monitor.
- Asegúrese de que las asas están acopladas de modo seguro.

# Fijación de las tapas de protección de los orificios del pedestal



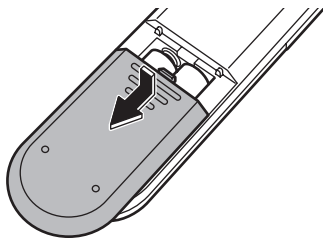
Tras instalar el monitor, fije las tapas de protección de los orificios del pedestal según sea necesario.

1. Retire la lámina posterior y fije la tapa sobre el monitor.

## Preparación del control remoto

### Instalación de las pilas

1. Presione suavemente la tapa y deslícela en la dirección de la flecha.



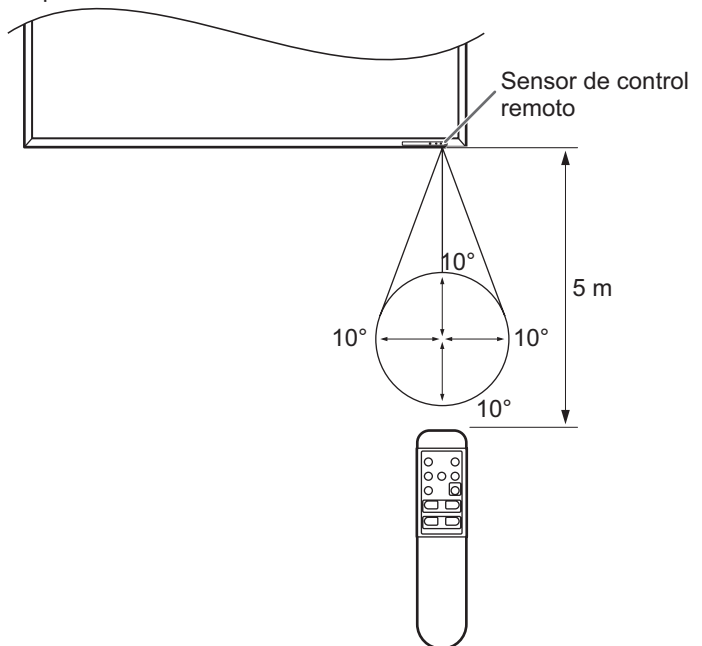
2. Consulte las indicaciones del compartimento y coloque las pilas suministradas (R-03 (tamaño "AAA") x 2) con la polaridad (+) y (-) correcta.
3. Cierre la tapa.

#### CONSEJOS

- Cuando las pilas estén gastadas, sustitúyalas por unas nuevas (de venta en comercios).
- Las pilas suministradas (R-03 (tamaño "AAA") x 2) podrían gastarse rápidamente dependiendo de las condiciones de almacenamiento.
- Extraiga las pilas si no piensa utilizar el control remoto durante un período de tiempo prolongado.
- Utilice únicamente pilas de manganeso o alcalinas.

### Distancia operativa del control remoto

La distancia operativa del control remoto es de aproximadamente 5 m en un ángulo de aproximadamente 10° respecto al centro de la parte superior/inferior/derecha/izquierda del sensor de control remoto.



#### CONSEJOS

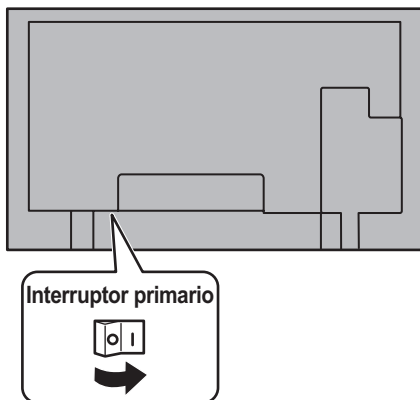
- No exponga el control remoto a golpes dejándolo caer al suelo o pisándolo. Esto podría provocar malfuncionamientos.
- No exponga el control remoto a líquidos ni lo coloque en lugares con un grado elevado de humedad.
- El control remoto podría no funcionar adecuadamente si el sensor de control remoto se encuentra bajo la luz directa del sol o una iluminación fuerte.
- La existencia de objetos entre el control remoto y el sensor de control remoto podría impedir el funcionamiento adecuado.
- Sustituya las pilas cuando tengan poca carga, ya que esto podría acortar la distancia operativa del control remoto.
- La existencia de una luz fluorescente iluminada cerca del control remoto podría interferir en su funcionamiento correcto.
- No utilice este control remoto conjuntamente con el de otros equipos como, por ejemplo, aire acondicionado, componentes estéreo, etc.

# Encendido/apagado

## !Precaución

- Encienda el monitor antes de encender el PC o el dispositivo de reproducción.

## Encendido de la alimentación principal

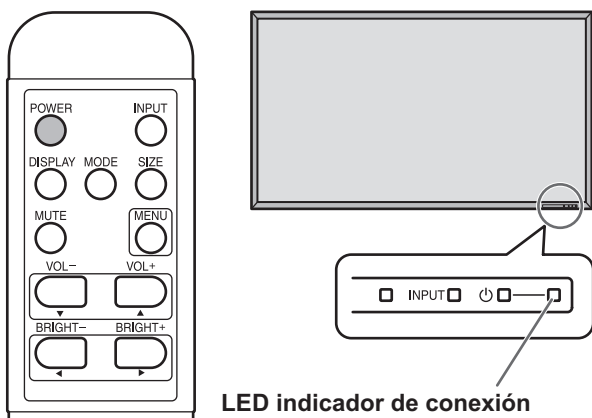


## !Precaución

- La alimentación principal deberá encenderse/apagarse con el interruptor primario. No conecte/desconecte el cable de alimentación ni active/desactive el disyuntor mientras el interruptor primario está encendido.
- Cuando apague el interruptor primario o el botón POWER y lo vuelva a encender, espere siempre 5 segundos como mínimo.

## Encendido/apagado

Pulse el botón POWER para encender/apagar. Cuando el interruptor primario esté apagado, el monitor no podrá encenderse utilizando el botón POWER del control remoto.



LED indicador de conexión

Estado del LED indicador de conexión	Estado del monitor
Luz verde	Alimentación encendida
Luz naranja	Alimentación apagada (modo de reposo)
Parpadeo en verde	Modo de espera de señal de entrada

## !Precaución

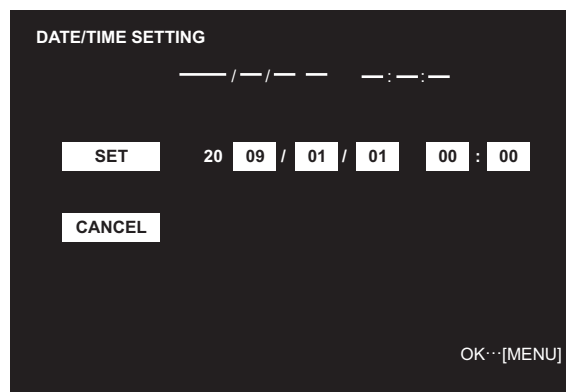
- Cuando apague el interruptor primario o el botón POWER y lo vuelva a encender, espere siempre 5 segundos como mínimo. Un intervalo demasiado corto podría provocar malfuncionamientos.

## CONSEJOS

- Si el monitor se encuentra en el modo en espera de señal de entrada y pulsa el botón POWER del control remoto, el monitor entrará en modo de reposo.
- Podrá encender/apagar el monitor pulsando el interruptor de alimentación del panel frontal del monitor.
- Si se activa SCHEDULE <HORARIO>, el LED indicador de conexión parpadeará alternativamente en rojo y naranja en modo de reposo.

## ■Ajuste de fecha y hora

- Si aún no se ha ajustado la hora al encender el monitor por vez primera, aparecerá la pantalla de ajuste de la fecha y la hora. Ajuste la fecha y la hora.



1. Pulse , , o para seleccionar la fecha y la hora y pulse o para cambiar los valores numéricos.
  2. Seleccione SET <AJUSTAR> y, a continuación, pulse .
- Asegúrese de ajustar la fecha y la hora.
  - La pantalla de ajuste de la fecha y la hora se cerrará automáticamente si no se lleva a cabo ninguna operación durante aproximadamente 15 segundos. La fecha y la hora podrán ajustarse utilizando DATE/TIME SETTING <AJUSTE FECHA/HORA> en el menú OPTION <OPCIONES> cuando desaparezca la pantalla de ajuste de la fecha y la hora.

## CONSEJOS

- Ajuste la fecha en el orden "Año/Mes/Día".
- Ajuste la hora en el formato de 24 horas.
- El reloj es alimentado por la pila interna.
- Si ya ha ajustado la hora pero aparece la pantalla de ajuste de la fecha y la hora en el encendido, la pila interna podría estar gastada. Póngase en contacto con su distribuidor o servicio técnico de Sharp para obtener ayuda sobre la sustitución de la pila.
- Vida estimada de la pila interna: aproximadamente 5 años (dependiendo del funcionamiento del monitor)
- La primera pila se ha instalado en la fábrica, por lo que podría gastarse antes de la vida útil esperada de funcionamiento continuo.

## Desactivación de las operaciones de encendido/apagado

Las operaciones de encendido/apagado pueden desactivarse para proteger el monitor frente al apagado accidental. Establezca ADJUSTMENT LOCK <OSD BLOQUEADO> en el menú FUNCTION <FUNCIÓN> en "2". (Consulte la Guía de uso.)

PN-E471  
PN-E421

# LCD FARBMONITOR

## DEUTSCH

### WICHTIGE INFORMATIONEN

**ACHTUNG:** HALTEN SIE DAS GERÄT VON REGEN UND JEDLICHER ART VON FEUCHTIGKEIT FERN, UM DIE GEFAHR VON BRAND ODER STROMSCHLAG ZU VERRINGERN.

	<b>VORSICHT</b> ELEKTROSCHOCK- GEFAHR NICHT ÖFFNEN	
<p>VORSICHT: ABDECKUNG NICHT ENTFERNEN: GEFAHR VON ELEKTROSCHOCK. KEINE WARTUNGSTEILE IM INNEREN. SERVICEARBEITEN NUR VON QUALIFIZIERTEM FACHPERSONAL DURCHFÜHREN LASSEN.</p>		



Das Blitzsymbol innerhalb eines gleichseitigen Dreiecks weist den Benutzer auf das Vorhandensein nicht isolierter "gefährlicher Spannung" im Geräteinneren hin, die ausreichend groß ist, um einen Elektroschock hervorzurufen.



Das Ausrufezeichen innerhalb eines Dreiecks weist den Benutzer auf wichtige Betriebs- und Wartungs- bzw. Serviceanweisungen in der Produktdokumentation hin.

**VORSICHT:** Die Wandsteckdose sollte sich in der Nähe des Gerätes befinden und leicht zugänglich sein.

**VORSICHT:** Das mitgelieferte Netzkabel darf unter keinen Umständen verändert oder modifiziert werden.

Dieses Gerät ist mit Leuchtstoffröhren ausgestattet, die geringe Mengen an Quecksilber enthalten. Die Entsorgung dieser Materialien unterliegt in manchen Ländern verschiedenen Umweltschutzvorschriften. Informationen zu Entsorgung oder Recycling erhalten Sie von den Behörden Ihres Landes.

# WICHTIGE INFORMATIONEN (Fortsetzung)



**Achtung:** Ihr Produkt trägt dieses Symbol. Es besagt, dass Elektro- und Elektronikgeräte nicht mit dem Haushaltsmüll entsorgt, sondern einem getrennten Rücknahmesystem zugeführt werden sollten.

## A. Entsorgungsinformationen für Benutzer aus Privathaushalten

### 1. In der Europäischen Union

Achtung: Werfen Sie dieses Gerät zur Entsorgung bitte nicht in den normalen Hausmüll!

Gemäß einer neuen EU-Richtlinie, die die ordnungsgemäße Rücknahme, Behandlung und Verwertung von gebrauchten Elektro- und Elektronikgeräten vorschreibt, müssen elektrische und elektronische Altgeräte getrennt entsorgt werden. Nach der Einführung der Richtlinie in den EU-Mitgliedstaaten können Privathaushalte ihre gebrauchten Elektro- und Elektronikgeräte nun kostenlos an ausgewiesenen Rücknahmestellen abgeben\*. In einigen Ländern\* können Sie Altgeräte u.U. auch kostenlos bei Ihrem Fachhändler abgeben, wenn Sie ein vergleichbares neues Gerät kaufen.

\*) Weitere Einzelheiten erhalten Sie von Ihrer Gemeindeverwaltung.

Wenn Ihre gebrauchten Elektro- und Elektronikgeräte Batterien oder Akkus enthalten, sollten diese vorher entnommen und gemäß örtlich geltenden Regelungen getrennt entsorgt werden.

Durch die ordnungsgemäße Entsorgung tragen Sie dazu bei, dass Altgeräte angemessen gesammelt, behandelt und verwertet werden. Dies verhindert mögliche schädliche Auswirkungen auf Umwelt und Gesundheit durch eine unsachgemäße Entsorgung.

### 2. In anderen Ländern außerhalb der EU

Bitte erkundigen Sie sich bei Ihrer Gemeindeverwaltung nach dem ordnungsgemäßen Verfahren zur Entsorgung dieses Geräts.

Für die Schweiz: Gebrauchte Elektro- und Elektronikgeräte können kostenlos beim Händler abgegeben werden, auch wenn Sie kein neues Produkt kaufen. Weitere Rücknahmesysteme finden Sie auf der Homepage von [www.swico.ch](http://www.swico.ch) oder [www.sens.ch](http://www.sens.ch).

## B. Entsorgungsinformationen für gewerbliche Nutzer

### 1. In der Europäischen Union

Wenn Sie dieses Produkt für gewerbliche Zwecke genutzt haben und nun entsorgen möchten:

Bitte wenden Sie sich an Ihren SHARP Fachhändler, der Sie über die Rücknahme des Produkts informieren kann. Möglicherweise müssen Sie die Kosten für die Rücknahme und Verwertung tragen. Kleine Produkte (und kleine Mengen) können möglicherweise bei Ihrer örtlichen Rücknahmestelle abgegeben werden.

Für Spanien: Bitte wenden Sie sich an das vorhandene Rücknahmesystem oder Ihre Gemeindeverwaltung, wenn Sie Fragen zur Rücknahme Ihrer Altgeräte haben.

### 2. In anderen Ländern außerhalb der EU

Bitte erkundigen Sie sich bei Ihrer Gemeindeverwaltung nach dem ordnungsgemäßen Verfahren zur Entsorgung dieses Geräts.



Die für dieses Produkt mitgelieferte Batterie kann Spuren von Blei enthalten.

Für die EU:

Die durchgestrichene Abfalltonne bedeutet, dass gebrauchte Batterien nicht mit dem Haushaltsmüll entsorgt werden sollten! Es gibt getrennte Sammelsysteme für gebrauchte Batterien, welche eine ordnungsgemäße Behandlung und Verwertung entsprechend gesetzlicher Vorgaben erlauben. Weitere Einzelheiten erhalten Sie von Ihrer Gemeindeverwaltung.

Für die Schweiz:

Die gebrauchte Batterie kann an der Verkaufsstelle zurückgegeben werden.

Für andere Nicht-EU Staaten:

Bitte erkundigen Sie sich bei Bedarf bei Ihrer Gemeindeverwaltung nach weiteren Informationen zur Entsorgung von gebrauchten Batterien.



# VEREHRTE KUNDIN, VEREHRTER KUNDE

Wir danken Ihnen für den Kauf eines SHARP LCD-Gerätes. Um Ihre Sicherheit sowie einen jahrelangen, störungsfreien Betrieb dieses Produkts zu gewährleisten, lesen Sie bitte den Abschnitt "Sicherheitsvorkehrungen" vor der Verwendung des Produkts durch.

## SICHERHEITSVORKEHRUNGEN

Elektrizität erfüllt viele nützliche Aufgaben, kann aber auch Personen- und Sachschäden verursachen, wenn sie unsachgemäß gehandhabt wird. Dieses Produkt wurde mit Sicherheit als oberster Priorität konstruiert und hergestellt. Dennoch besteht bei unsachgemäßer Handhabung u.U. Stromschlag- und Brandgefahr. Um mögliche Gefahren zu vermeiden, befolgen Sie beim Aufstellen, Betreiben und Reinigen des Produkts bitte die nachstehenden Anleitungen. Lesen Sie im Interesse Ihrer eigenen Sicherheit sowie einer langen Lebensdauer des LCD-Gerätes zunächst die nachstehenden Hinweise durch, bevor Sie das Produkt in Verwendung nehmen.

1. Bedienungsanleitungen lesen — Nehmen Sie das Produkt erst in Betrieb, nachdem Sie alle diesbezüglichen Hinweise gelesen und verstanden haben.
2. Bedienungsanleitung aufbewahren — Diese Bedienungsanleitung mit den Sicherheits- und Bedienungshinweisen sollte aufbewahrt werden, damit Sie im Bedarfsfall jederzeit darauf zurückgreifen können.
3. Warnungen beachten — Alle Warnungen auf dem Gerät und in den Bedienungsanleitungen sind genauestens zu beachten.
4. Anleitungen befolgen — Alle Anleitungen zur Bedienung müssen befolgt werden.
5. Reinigung — Ziehen Sie vor dem Reinigen des Produkts das Netzkabel. Reinigen Sie das Gerät mit einem trockenen Tuch. Verwenden Sie keine flüssigen Reiniger oder Aerosol-Sprays.
6. Zusatzgeräte und Zubehör — Verwenden Sie ausschließlich vom Hersteller empfohlenes Zubehör. Bei Verwendung anderer Zusatzgeräte bzw. Zubehörteile besteht evtl. Unfallgefahr.
7. Wasser und Feuchtigkeit — Benutzen Sie das Gerät nicht in der Nähe von Wasser. Montieren Sie das Gerät unter keinen Umständen an einer Stelle, an der Wasser darauf tropfen kann. Achten Sie dabei besonders auf Geräte, aus denen zuweilen Wasser tropft, wie etwa Klimaanlage.
8. Belüftung — Die Belüftungsschlitze und andere Öffnungen im Gehäuse dienen der Belüftung des Geräts. Halten Sie diese Öffnungen unbedingt frei, da eine unzureichende Belüftung zu einer Überhitzung bzw. Verkürzung der Lebensdauer des Produkts führen kann. Stellen Sie das Gerät nicht auf ein Sofa, einen Lappen oder ähnliche Oberflächen, da die Belüftungsschlitze dadurch blockiert werden können. Stellen Sie das Gerät auch nicht in ein umschlossenes Gehäuse, wie z.B. in ein Bücherregal oder einen Schrank, sofern dort nicht für eine ausreichende Belüftung gesorgt ist oder die Anweisungen des Herstellers befolgt werden.
9. Netzkabel-Schutz — Die Netzkabel sind so zu verlegen, dass sie vor Tritten geschützt sind und keine schweren Objekte darauf abgestellt werden.
10. Das LCD-Panel ist ein Glasprodukt. Es kann daher brechen, wenn es zu Boden fällt oder einen Schlag oder Stoß erhält. Achtung: bei einem Bruch des LCD-Panels besteht durch die Glasstücke Verletzungsgefahr.
11. Überlastung — Vermeiden Sie eine Überlastung von Netzsteckdosen und Verlängerungskabeln. Bei Überlastung besteht Brand- und Stromschlaggefahr.
12. Eindringen von Gegenständen und Flüssigkeiten — Schieben Sie niemals irgendwelche Gegenstände durch die Gehäuseöffnungen in das Innere des Geräts. Im Produkt liegen hohe Spannungen vor. Durch das Einschleiben von Gegenständen besteht Stromschlaggefahr bzw. die Gefahr von Kurzschlüssen zwischen den Bauteilen. Aus demselben Grunde dürfen auch keine Flüssigkeiten auf das Gerät verschüttet werden.
13. Wartung — Versuchen Sie auf keinen Fall, selbst Wartungsarbeiten am Gerät durchzuführen. Durch das Entfernen von Abdeckungen setzen Sie sich hohen Spannungen und anderen Gefahren aus. Lassen Sie sämtliche Wartungsarbeiten ausschließlich von qualifiziertem Service-Personal ausführen.
14. Reparaturen — Ziehen Sie in den folgenden Situationen sofort das Netzkabel und lassen Sie das Produkt von qualifiziertem Service-Personal reparieren:
  - a. Wenn das Netzkabel oder der Netzstecker beschädigt ist.
  - b. Wenn Flüssigkeit in das Gerät eingedrungen ist oder Gegenstände in das Gerät gefallen sind.
  - c. Wenn das Gerät nass geworden ist (z.B. durch Regen).
  - d. Wenn das Gerät nicht wie in der Bedienungsanleitung beschrieben funktioniert.  
Nehmen Sie nur die in den Bedienungsanleitungen beschriebenen Einstellungen vor. Unsachgemäße Einstellungen an anderen Reglern können zu einer Beschädigung führen und machen häufig umfangreiche Einstellarbeiten durch einen qualifizierten Service-Techniker erforderlich.
  - e. Wenn das Produkt fallen gelassen oder beschädigt wurde.
  - f. Wenn das Gerät einen anormalen Zustand aufweist. Jedes erkennbare anormale Verhalten zeigt an, dass der Kundendienst erforderlich ist.

# SICHERHEITSVORKEHRUNGEN (Fortsetzung)

15. Ersatzteile — Wenn Ersatzteile benötigt werden, stellen Sie bitte sicher, dass der Service-Techniker nur die vom Hersteller bezeichneten Teile oder Teile mit gleichen Eigenschaften und gleichem Leistungsvermögen wie die Originalteile verwendet. Die Verwendung anderer Teile kann zu einem Brand, zu Stromschlag oder anderen Gefahren führen.
16. Sicherheitsüberprüfungen — Lassen Sie vom Service-Techniker nach Service- oder Reparaturarbeiten eine Sicherheitsüberprüfung vornehmen, um sicherzustellen, dass das Produkt in einem einwandfreien Betriebszustand ist.
17. Wandmontage — Bei der Montage des Gerätes an der Wand ist sicherzustellen, dass die Befestigung nach der vom Hersteller empfohlenen Methode erfolgt.
18. Wärmequellen — Stellen Sie das Produkt nicht in der Nähe von Heizkörpern, Heizgeräten, Öfen oder anderen Geräten (wie z.B. Verstärkern) auf, die Hitze abstrahlen.
19. Batterien — Durch falsche Anwendung können die Batterien explodieren oder sich entzünden. Eine undichte Batterie kann Korrosion am Gerät verursachen sowie Hände und Kleidung verschmutzen. Um diese Probleme zu vermeiden, beachten Sie bitte die folgenden Sicherheitshinweise:
  - Verwenden Sie nur empfohlene Batterietypen.
  - Achten Sie beim Einlegen der Batterien darauf, dass die Plus- (+) und die Minus- (-) Seite der Batterien gemäß den Anweisungen im Fachinneren richtig ausgerichtet sind.
  - Verwenden Sie nicht alte und neue Batterien gemeinsam.
  - Verwenden Sie keine Batterien unterschiedlichen Typs. Batterien derselben Form können unterschiedliche Spannungswerte besitzen.
  - Ersetzen Sie eine leere Batterie sofort durch eine neue.
  - Wenn Sie die Fernbedienung längere Zeit nicht verwenden, entnehmen Sie die Batterien.
  - Wenn ausgetretene Batterieflüssigkeit auf Haut oder Kleidung gelangt, müssen Sie diese sofort gründlich mit Wasser spülen. Wenn Batterieflüssigkeit in die Augen gelangt, dürfen Sie die Augen auf keinen Fall reiben, sondern am besten mit viel Wasser spülen und sofort einen Arzt aufsuchen. Batterieflüssigkeit kann Hautreizungen hervorrufen oder Augenschäden verursachen.
20. Bei der Verwendung des Monitors ist darauf zu achten, dass Gefahren für Leib und Leben, Schäden an Gebäuden und anderen Gegenständen sowie eine Beeinflussung von wichtigen oder gefährlichen Geräten, wie z.B. der Nuklearreaktionssteuerung in Atomanlagen, lebenserhaltenden Geräten in medizinischen Einrichtungen oder Raketenabschusssteuerungen in Waffensystemen vermieden werden.
21. Vermeiden Sie es, Teile des Produkts, die sich erwärmen, über längere Zeit hinweg zu berühren. Dies könnte zu leichten Verbrennungen führen.

## **ACHTUNG:**

Dieses Gerät ist ein Produkt der Klasse A. In Wohnräumen kann dieses Gerät Störsignale erzeugen, die durch entsprechende Abhilfemaßnahmen beseitigt werden müssen.

Verwenden Sie EMV-gerechte, abgeschirmte Kabel, um die folgenden Anschlüsse zu verbinden: PC/AV DVI-D-Ausgangsanschluss, PC/AV DVI-D-Eingangsanschluss, PC/AV HDMI-Eingangsanschluss, PC D-sub-Eingangsanschluss, PC RGB-Eingangsanschlüsse und RS-232C-Eingangs-/Ausgangsanschlüsse.

Wenn ein Monitor nicht auf einer stabilen Unterlage aufgestellt wird, besteht die Gefahr, dass er kippt oder fällt. Zahlreiche Verletzungen, besonders bei Kindern, können durch einfache Vorsichtsmaßnahmen vermieden werden:

- Bei Verwendung der vom Hersteller empfohlenen Befestigungsvorrichtungen, wie z.B. Wandhaken.
- Stellen Sie den Monitor nur auf Möbelstücke, die ausreichend stark sind.
- Achten Sie darauf, dass der Monitor nicht über den Rand des Möbelstücks, auf dem er steht, vorsteht.
- Stellen Sie den Monitor niemals auf ein großes Möbelstück (z.B. einen Schrank oder in ein Bücherregal), ohne sowohl das Möbelstück als auch den Monitor an einem geeigneten Element sicher zu verankern.
- Stellen Sie den Monitor niemals auf ein Tuch oder andere Materialien, die zwischen dem Monitor und dem Möbelstück, auf dem er steht, liegen.
- Weisen Sie Kinder eindringlich darauf hin, dass es gefährlich ist, auf ein Möbelstück zu klettern, um an den Monitor oder seine Regler zu gelangen.

## **Wichtige Hinweise für die Sicherheit von Kindern**

- Lassen Sie Kinder niemals auf den Monitor klettern oder am Monitor spielen.
- Stellen Sie den Monitor nicht auf Möbelstücke, die leicht als Stufen verwendet werden könnten, wie zum Beispiel eine Truhe oder Kommode.
- Bedenken Sie, dass Kinder bei Betrachtung eines Fernsehprogramms – und ganz besonders bei einem “überlebensgroßen” Monitor – in starke Aufregung verfallen können. Der Monitor sollte so aufgestellt werden, dass er nicht umgestoßen oder gekippt werden kann.
- Alle am Monitor angeschlossenen Kabel und Stränge sollten so verlegt werden, dass neugierige Kinder nicht daran ziehen oder sie ergreifen können.

# TIPPS UND SICHERHEITSHINWEISE

- Bei der Herstellung des TFT Farb-LCD-Panels dieses Monitors wurde Präzisionstechnologie eingesetzt. Trotzdem können einzelne Punkte am Bildschirm überhaupt nicht leuchten oder ständig leuchten. Bei Betrachtung des Bildschirms aus einem spitzen Winkel können die Farben oder die Helligkeit unregelmäßig erscheinen. Bitte beachten Sie, dass es sich dabei um keine Qualitätsmängel handelt, sondern um allgemein bei LCD-Geräten auftretende Phänomene, welche die Leistung des Monitors in keiner Weise beeinträchtigen.
- Lassen Sie niemals ein Standbild über längere Zeit hinweg anzeigen, da dies ein Nachleuchten am Bildschirm zur Folge haben könnte.
- Vermeiden Sie es, den Monitor mit harten Gegenständen abzureiben oder zu berühren.
- Wir bitten um Ihr Verständnis, dass Sharp über die gesetzlich anerkannte Leistungshaftung hinaus keine Haftung für Fehler übernimmt, die sich aus der Verwendung durch den Kunden oder einen Dritten ergeben, und auch nicht für sonstige Funktionsstörungen oder Schäden, die während der Verwendung am Gerät entstehen.
- Eine Aktualisierung dieses Monitors und seines Zubehörs ist vorbehalten.
- Verwenden Sie den Monitor nicht an Orten mit hoher Staubentwicklung, hoher Luftfeuchtigkeit oder an Orten, an denen der Monitor mit Öl oder Dampf in Kontakt kommen könnte, da dies zu einem Brand führen könnte.
- Achten Sie darauf, dass der Monitor nicht mit Wasser oder anderen Flüssigkeiten in Berührung kommt. Achten Sie auch darauf, keine Gegenstände, wie z.B. Büroklammern oder sonstige spitze Gegenstände, in den Monitor zu stecken. Die Folge könnte ein Brand oder Stromschlag sein.
- Stellen Sie den Monitor nicht auf instabile Gegenstände oder an andere unsichere Stellen. Setzen Sie den Monitor keinen starken Stößen oder Erschütterungen aus. Wenn der Monitor hinunterfällt oder umkippt, könnte er Schaden nehmen.
- Stellen Sie den Monitor nicht in der Nähe von Heizungen oder an anderen Stellen auf, an denen hohe Temperaturen auftreten, da dies zu einer übermäßig starken Erhitzung mit der Folge eines Brandes führen könnte.
- Bilder können auf diesem Monitor nicht gedreht werden. Wenn Sie den Monitor in vertikaler Ausrichtung verwenden, müssen Sie die Bilder zuvor entsprechend drehen. (Der PN-E471 kann nicht in vertikaler Ausrichtung verwendet werden.)

## Das Netzkabel

- Beschädigen Sie das Netzkabel nicht, stellen Sie keine schweren Gegenstände darauf, und überdehnen oder knicken Sie es nicht. Verwenden Sie keine Verlängerungskabel. Ein beschädigtes Kabel kann einen Brand oder Stromschlag verursachen.
- Verwenden Sie nur das mit dem Monitor gelieferte Netzkabel.
- Verwenden Sie das Netzkabel nicht mit einer Mehrfachsteckdose. Die Verwendung eines Verlängerungskabels kann aufgrund von Überhitzung zu einem Brand führen.
- Achten Sie darauf, dass Sie beim Einstecken oder Ausstecken des Netzsteckers keine nassen Hände haben, um einen Elektroschlag zu vermeiden.
- Ziehen Sie das Netzkabel aus der Steckdose, wenn Sie das Gerät längere Zeit über nicht verwenden.
- Führen Sie keine Reparaturversuche an einem beschädigten oder nicht funktionstüchtigen Netzkabel durch. Überlassen Sie Reparaturarbeiten ausschließlich dem Kundendienst.

## Inhalt der Anleitung

- Microsoft, Windows und Internet Explorer sind eingetragene Warenzeichen der Microsoft Corporation.
- HDMI, das HDMI-Logo und High-Definition Multimedia Interface sind Warenzeichen oder eingetragene Warenzeichen von HDMI Licensing LLC.
- Adobe, Acrobat, und Reader sind in den USA und/oder anderen Ländern entweder geschützte Warenzeichen oder Warenzeichen von Adobe Systems Incorporated.
- Dieses Produkt wird mit RICOH Bitmap Fonts geliefert, die von RICOH COMPANY, LTD produziert und vertrieben werden.
- Alle andere Warenzeichen und Produktnamen sind Eigentum der jeweiligen Gesellschaften.
- Die in dieser Anleitung verwendeten Beispiele beziehen sich auf das englischsprachige OSD-Menü.
- Die Abbildungen in dieser Anleitung zeigen nicht immer das vorliegende Gerät oder die jeweilige Bildschirmanzeige.
- In dieser Anleitung wird vom Gebrauch in horizontaler Ausrichtung ausgegangen. Ausnahmen werden speziell angeführt.

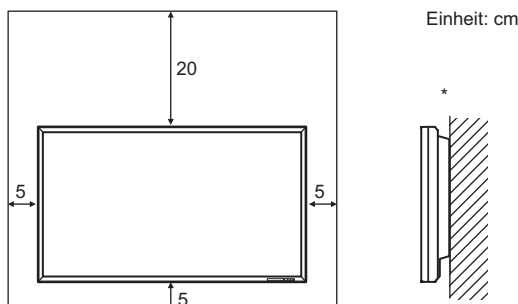
## Leuchtstoffröhre

- Die in diesem Gerät enthaltenen Leuchtstoffröhren haben eine beschränkte Lebensdauer.
  - \* Wenn der Bildschirm dunkel wird, blinkt oder sich nicht einschalten lässt, ist es wahrscheinlich notwendig, die Leuchtstoffröhren auszutauschen. Die für dieses Gerät geeigneten Leuchtstoffröhren sind ausschließlich für dieses Produkt geeignet und dürfen nur von einem autorisierten Sharp-Händler oder Sharp Servicecenter ausgetauscht werden.
  - \* Bitte kontaktieren Sie Ihren Sharp-Händler oder das nächstgelegene Sharp Servicecenter.
- Aufgrund der Eigenschaften der Leuchtstoffröhren kann der Bildschirm während der ersten Zeit flackern. Wenn dies der Fall ist, schalten Sie bitte den Hauptnetzschalter am Monitor aus und nach einer Wartezeit von mindestens 5 Sekunden wieder ein.

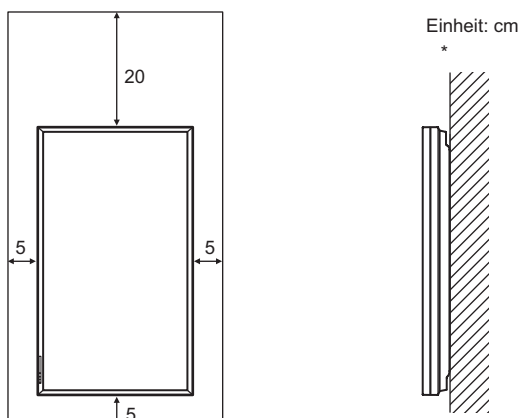
# WICHTIGE HINWEISE ZUR BEFESTIGUNG

- Da der Monitor sehr schwer ist, sollten Sie Ihren Händler vor dem Befestigen, Abmontieren oder Transportieren des Monitors um Rat fragen.
- Für das Befestigen, Abmontieren oder Transportieren des Monitors müssen mindestens zwei Personen zur Verfügung stehen.
- Ein Montagewinkel, der den VESA-Spezifikationen entspricht, ist erforderlich. Verwenden Sie für die Installation nur VESA-Bohrungen.
- Halten Sie den Monitor beim Tragen an den Griffen an der Rückseite und an der Unterseite. Fassen Sie den Monitor nicht am LCD-Panel an. Das Gerät könnte dadurch beschädigt werden, oder Sie könnten sich dabei verletzen.
- Stellen Sie den Monitor mit der Vorderseite senkrecht zu einer ebenen Fläche auf. Nötigenfalls können Sie den Monitor um bis zu 20 Grad nach oben oder unten neigen.
- Für die Wandbefestigung des Monitors sind Spezialkenntnisse erforderlich. Diese Arbeit darf daher nur von einem autorisierten SHARP-Händler durchgeführt werden. Führen Sie diese Arbeit niemals selbst durch. Unser Unternehmen übernimmt keine Verantwortung für Unfälle oder Verletzungen, die sich durch eine falsche Befestigung oder einen falschen Umgang mit dem Gerät ergeben.
- Dieser Monitor sollte bei einer Umgebungstemperatur zwischen 0°C und 40°C verwendet werden. Rund um den Monitor muss genügend Luft sein, damit die Wärme aus dem Geräteinneren gut entweichen kann.
- Wenn es aus irgendeinem Grund schwierig ist, ausreichend Platz frei zu lassen, etwa weil der Monitor in ein Gehäuse eingebaut wird, oder wenn die Umgebungstemperatur außerhalb des zulässigen Bereichs von 0°C bis 40°C liegen könnte, so müssen Sie ein Gebläse installieren oder andere Maßnahmen ergreifen, um die Umgebungstemperatur innerhalb des vorgeschriebenen Bereichs zu halten.
- Die Temperaturbedingungen können sich ändern, wenn das Display zusammen mit von SHARP empfohlenem Zubehör verwendet wird. Überprüfen Sie in diesem Fall bitte die für das Zubehör empfohlenen Temperaturbedingungen.
- Der PN-E471 kann nicht in vertikaler Ausrichtung verwendet werden.
- Beachten Sie für die Installation des Monitors in vertikaler Ausrichtung die folgenden Punkte. Werden die folgenden Punkte nicht beachtet, kann dies zu Fehlfunktionen führen. (Nur für PN-E421)
  - Installieren Sie den Monitor so, dass sich die Betriebs-LED an der Unterseite befindet.
  - Stellen Sie den MONITOR im Menü SETUP <KONFIG.> auf PORTRAIT <HOCHFORMAT>. (Siehe KURZANLEITUNG.)
- Alle Belüftungsöffnungen müssen stets frei bleiben. Wenn die Temperatur innerhalb des Monitors ansteigt, kann dies zu Fehlfunktionen führen.
- Überprüfen Sie nach der Befestigung des Monitors sorgfältig, dass der Monitor sicher befestigt ist und sich auf keinen Fall von der Wand oder der Befestigungsvorrichtung lösen kann.
- Stellen Sie den Monitor nicht auf ein anderes Gerät, das Wärme erzeugt.
- Verwenden Sie den mitgelieferten vertikalen Aufkleber, wenn Sie den Monitor vertikal installieren. (Nur für PN-E421)

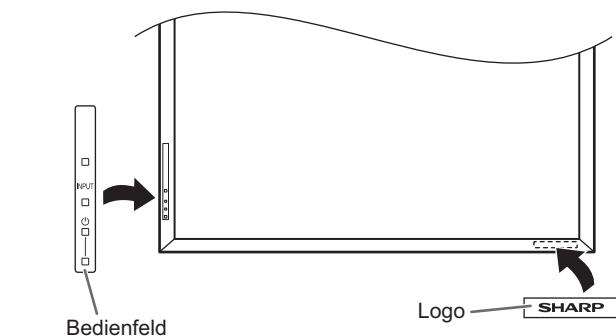
## Monitor in horizontaler Ausrichtung



## Monitor in vertikaler Ausrichtung (Nur für PN-E421)



- \* Der Monitor kann ganz nahe an einer Wand installiert werden. Im Betrieb gibt der Monitor jedoch Wärme ab. Beachten Sie, dass die vom Monitor abgegebene Wärme die Wand verfärben oder verändern kann.



Entfernen Sie den werkseitig angebrachten Aufkleber nicht, sondern überkleben Sie ihn mit dem Logo-Aufkleber. Verdecken Sie jedoch nicht den Fernbedienungssensor oder andere Tasten.

- Verwenden Sie dazu einen Wandhaken, der für die Befestigung des Monitors geeignet sind.
- Dieser Monitor wurde für die Befestigung an einer Betonwand oder an einer Betonsäule gebaut. Vor der Aufstellung des Monitors kann es notwendig sein, Wände, die aus bestimmten Materialien (z.B. Gips, dünnem Kunststoff usw.) bestehen, entsprechend zu verstärken. Der Monitor und der Befestigungswinkel dürfen nur an einer Wand montiert werden, die mindestens das vierfache Gewicht des Monitors tragen kann. Wählen Sie das für Material und Wandstruktur jeweils am besten geeignete Befestigungsverfahren aus.
- Wenn Sie ein optionales Zubehör montieren, beachten Sie dabei bitte die in der Anleitung dieses Zubehörs beschriebenen Schritte.
- Nur zur Verwendung mit UL-konformen Wandhaken mit folgender Mindesttragfähigkeit: PN-E471: 102 kg, PN-E421: 88 kg .

# Inhalt

<b>WICHTIGE INFORMATIONEN</b> .....	1	<b>Ankleben der Schutzabdeckungen für die</b>	
<b>VEREHRTE KUNDIN, VEREHRTER KUNDE</b> .....	3	<b>Fußöffnungen</b> .....	11
<b>SICHERHEITSVORKEHRUNGEN</b> .....	3	<b>Vorbereiten der Fernbedienung</b> .....	11
<b>TIPPS UND SICHERHEITSHINWEISE</b> .....	5	Einlegen der Batterien.....	11
<b>WICHTIGE HINWEISE ZUR BEFESTIGUNG</b> .....	6	Reichweite der Fernbedienung .....	11
<b>Mitgelieferte Komponenten</b> .....	7	<b>Ein- und ausschalten</b> .....	12
<b>Anschließen von Zusatzgeräten</b> .....	8	Einschalten des Netzstroms.....	12
Verbindung mit PC oder AV-Geräten.....	8	Ein- und ausschalten.....	12
Verbindung, wenn das PN-ZB01 (optional)		Deaktivierung der Ein-/Ausschaltfunktionen .....	12
angeschlossen ist.....	9		
<b>Anschließen des Netzkabels</b> .....	10		
<b>Bündelung von Kabeln</b> .....	10		
<b>Entfernen der Griffe</b> .....	10		

Diese BEDIENUNGSANLEITUNG enthält eine Anleitung zu Anschluss und Installation. Weitere Anweisungen finden Sie im Ordner "manual" auf der beiliegenden CD-ROM. Zum Lesen der Bedienungsanleitungen ist der Adobe Reader erforderlich.

## Mitgelieferte Komponenten

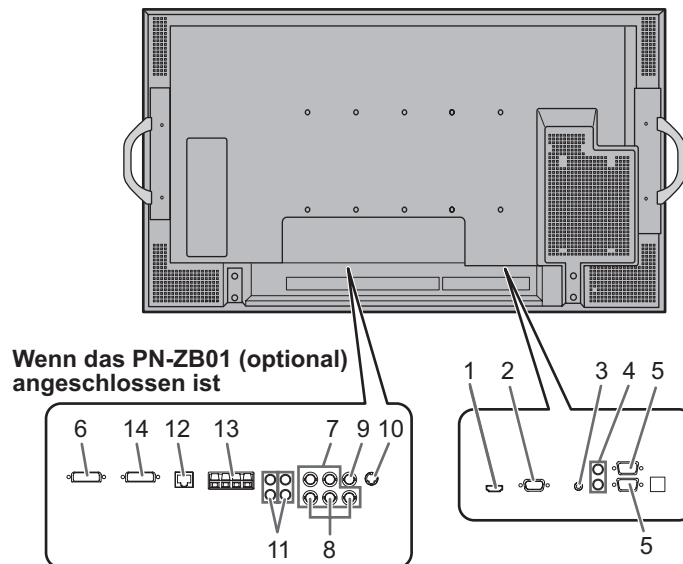
Sollte eine der angeführten Komponenten fehlen, kontaktieren Sie bitte Ihren Händler.

- LCD-Monitor: 1
- Fernbedienung: 1
- Kabelklammer: 2
- Netzkabel
- R-03 Batterie (Größe "AAA", Mignonzelle): 2
- CD-ROM (Utility Disk für Windows): 1
- Bedienungsanleitung: 1
- Schutzabdeckungen für Fußöffnungen: 2
- Vertikaler Aufkleber (Bedienfeld): 1 (Nur für PN-E421)
- Vertikaler Aufkleber (Logo): 1 (Nur für PN-E421)
- Leerer Aufkleber: 1

Um das Logo zu verdecken, überkleben Sie das SHARP-Logo mit dem leeren Aufkleber.

- \* Die Sharp Corporation besitzt die Autorenrechte am Utility Disk Programm. Eine Vervielfältigung dieses Programms ohne schriftliche Genehmigung ist daher nicht gestattet.
- \* Der Umwelt zuliebe !  
Batterien dürfen nicht mit den Siedlungsabfällen entsorgt werden, sondern verlangen Sonderbehandlung.

# Anschließen von Zusatzgeräten



## ! Vorsicht

- Schalten Sie unbedingt den Hauptschalter aus und ziehen Sie den Netzstecker, bevor Sie Kabel anschließen oder abziehen. Lesen Sie auch das Handbuch des Gerätes, das Sie an den Monitor anschließen möchten.
- Verwechseln Sie beim Anschließen nicht die Eingangsklemmen mit den Ausgangsklemmen. Dies könnte zu Fehlfunktionen und anderen Problemen führen.

## TIPPS

- Abhängig vom angeschlossenen Computer (Videokarte) können Bilder unter Umständen nicht korrekt angezeigt werden.
- Ein Bild mit einer Auflösung von 1920 x 1080 kann möglicherweise nicht korrekt über PC RGB dargestellt werden. Überprüfen Sie in diesem Fall die Einstellungen Ihres Computers (Videokarte) und stellen Sie sicher, dass die Eingangssignale den Spezifikationen dieses Monitors entsprechen. (Siehe KURZANLEITUNG.)
- Wählen Sie das Kontrollfeld EDID an, wenn es bei Verwendung von PC RGB im Bedienfeld angezeigt wird.
- Verwenden Sie die automatische Bildschirmeinstellung, wenn ein Bild von einem PC zum ersten Mal über den PC D-SUB oder PC RGB angezeigt wird, oder nachdem Sie die Einstellung am PC verändert haben. Das Bild wird automatisch eingestellt, wenn SELF ADJUST <AUTOM. EINSTELLUNG> im Menü OPTION <OPTIONEN> auf ON <EIN> eingestellt ist.
- Wenn der Audioausgang des Abspielgeräts direkt mit den Lautsprechern oder anderen Geräten verbunden ist, kann das Videobild gegenüber dem Ton unter Umständen etwas verzögert sein. Der Ton sollte daher immer über diesen Monitor wiedergegeben werden. Schließen Sie zu diesem Zweck den Audioausgang des Abspielgeräts am Audioeingang des Monitors und den Audioausgang des Monitors an den Lautsprechern oder einem anderen Wiedergabegerät an.
- Die in jedem Eingangsmodus verwendeten Audioeingangsanschlüsse sind ab Werk wie folgt eingestellt.

Eingangsmodus	Audioeingangsanschluss (Werkseinstellung)
PC D-SUB, PC DVI-D, PC RGB	Audioeingangsanschluss
AV DVI-D	Audio1 Eingangsanschluss
AV COMPONENT, AV S-VIDEO, AV VIDEO	Audio2 Eingangsanschluss
PC HDMI, AV HDMI	PC/AV HDMI-Eingangsanschluss

## Verbindung mit PC oder AV-Geräten

### 1. PC/AV HDMI-Eingangsanschluss

- Verwenden Sie für den PC/AV HDMI-Eingangsanschluss ein handelsübliches HDMI-Kabel (gemäß HDMI-Standard).
- Stellen Sie je nach Gerät, das angeschlossen werden soll, HDMI unter INPUT SELECT <EINGANGSWAHL> im Menü OPTION <OPTIONEN> entsprechend ein.
- Wählen Sie in PC HDMI oder AV HDMI unter AUDIO SELECT <AUDIO AUSWAHL> im Menü OPTION <OPTIONEN> den Audioeingangsanschluss, der verwendet werden soll. Wenn HDMI ausgewählt wurde, ist ein Anschließen an den Audioeingangsanschluss nicht erforderlich.

### 2. PC D-sub-Eingangsanschluss

- Wenn das PN-ZB01 (optional) angeschlossen ist, wählen Sie in PC D-SUB unter AUDIO SELECT <AUDIO AUSWAHL> im Menü OPTION <OPTIONEN> den Audioeingangsanschluss aus, der verwendet werden soll.

### 3. Audioeingangsanschluss

- Das verwendete Audiokabel sollte widerstandslos sein.
- Wenn das PN-ZB01 (optional) angeschlossen ist, stellen Sie in AUDIO SELECT <AUDIO AUSWAHL> im Menü OPTION <OPTIONEN> für jeden Eingangsmodus den Audioeingangsanschluss an, der verwendet werden soll.

### 4. Audioausgangsanschlüsse

- Die Tonausgabe variiert je nach Eingangsmodus.
- Die Lautstärke der Tonausgabe kann durch Einstellen von AUDIO OUTPUT <AUDIO-AUSGANG> im Menü OPTION <OPTIONEN> festgelegt werden.
- Es ist nicht möglich, die Tonausgabe der Audioausgangsanschlüsse über das Menü AUDIO <TON> zu regeln.

### 5. RS-232C-Eingangsanschluss

#### RS-232C-Ausgangsanschluss

- Wenn Sie diesen Anschluss über ein handelsübliches ungekreuztes RS-232-Kabel mit einem PC verbinden, können Sie den Monitor über den PC steuern.

## Verbindung, wenn das PN-ZB01 (optional) angeschlossen ist

Das PN-ZB01 Erweiterungs-Board (optional) ermöglicht die Verwendung zusätzlicher Anschlüsse.

### 6. PC/AV DVI-D-Eingangsanschluss

- Stellen Sie je nach Gerät, das angeschlossen werden soll, DVI unter INPUT SELECT <EINGANGSWAHL> im Menü OPTION <OPTIONEN> entsprechend ein.
- Wählen Sie in PC DVI-D oder AV DVI-D unter AUDIO SELECT <AUDIO AUSWAHL> im Menü OPTION <OPTIONEN> den Audioeingangsanschluss aus, der verwendet werden soll.

### 7. PC RGB-Eingangsanschlüsse

- Stellen Sie in BNC unter INPUT SELECT <EINGANGSWAHL> im Menü OPTION <OPTIONEN> die Option PC RGB ein, wenn Sie die PC RGB-Eingangsanschlüsse verwenden.
- Wählen Sie in PC RGB unter AUDIO SELECT <AUDIO AUSWAHL> im Menü OPTION <OPTIONEN> den Audioeingangsanschluss aus, der verwendet werden soll.

### 8. AV Component-Eingangsanschlüsse

- Stellen Sie in BNC unter INPUT SELECT <EINGANGSWAHL> im Menü OPTION <OPTIONEN> die Option AV COMPONENT ein, wenn Sie die AV Component-Eingangsanschlüsse verwenden.
- Wählen Sie in AV COMPONENT unter AUDIO SELECT <AUDIO AUSWAHL> im Menü OPTION <OPTIONEN> den Audioeingangsanschluss aus, der verwendet werden soll.

### 9. AV Video-Eingangsanschluss

- Wählen Sie in AV VIDEO unter AUDIO SELECT <AUDIO AUSWAHL> im Menü OPTION <OPTIONEN> den Audioeingangsanschluss aus, der verwendet werden soll.

### 10. AV S-Video-Eingangsanschluss

- Wählen Sie in AV S-VIDEO unter AUDIO SELECT <AUDIO AUSWAHL> im Menü OPTION <OPTIONEN> den Audioeingangsanschluss aus, der verwendet werden soll.

### 11. Audio1 Eingangsanschlüsse / Audio2 Eingangsanschlüsse

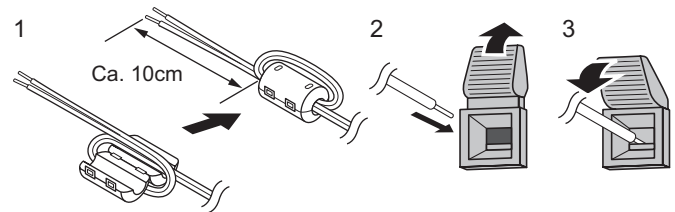
- Wählen Sie unter AUDIO SELECT <AUDIO AUSWAHL> im Menü OPTION <OPTIONEN> den Audioeingangsanschluss aus, der im jeweiligen Modus verwendet werden soll.

### 12. LAN-Anschluss

- Wenn Sie diesen Anschluss über ein handelsübliches ungekreuztes LAN-Kabel mit einem PC in einem Netzwerk verbinden, können Sie den Monitor über diesen PC steuern.

### 13. Anschlüsse für externe Lautsprecher

- Um externe Lautsprecher zu verwenden, stellen Sie unter SPEAKER SELECT <AUSWAHL LAUTSPRECHER> im Menü SETUP <KONFIG.> die Option EXTERNAL <EXTERN> ein.
- Verwenden Sie nur externe Lautsprecher mit einer Impedanz von mindestens 6  $\Omega$  und einer Nennleistungslast von mindestens 10 W.



1. Verbinden Sie eine Ader des Lautsprecherkabels (im Lieferumfang des PN-ZB01 enthalten) mit dem Ende des Lautsprecherkabels, das an den Monitor angeschlossen ist.
2. Drücken Sie auf die Plastikzunge und schieben Sie das Kabelende hinein.
3. Lassen Sie die Plastikzunge los.

#### TIPPS

- Die Anschlüsse + und - sowie der linke und rechte Lautsprecher müssen richtig miteinander verbunden sein.
- Vermeiden Sie einen Kurzschluss zwischen dem + und dem - Anschluss.
- Wenn SPEAKER SELECT <AUSWAHL LAUTSPRECHER> auf EXTERNAL <EXTERN> eingestellt ist, werden die internen Lautsprecher deaktiviert.

### 14. PC/AV DVI-D-Ausgangsanschluss

- Die Videodaten des PC/AV DVI-D-Eingangs können an ein externes Gerät ausgegeben werden.
- Die Ausgabe von HDCP-verschlüsselten Videodaten erfordert ein externes Gerät, das HDCP unterstützt.
- Dieser Anschluss ermöglicht die serielle Verbindung von bis zu 5 Monitoren.

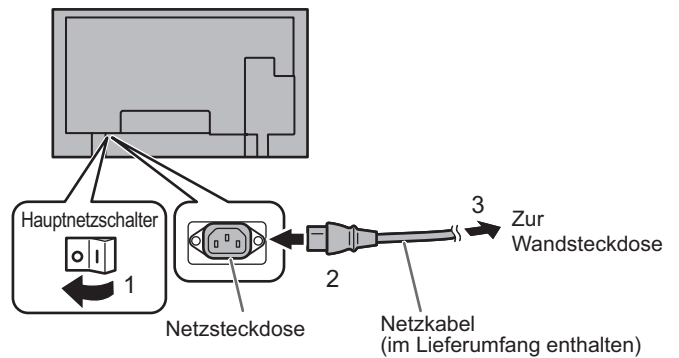
#### TIPPS

- Die Länge der Signal-Kabel sowie die Umgebungseinflüsse können die Bildqualität beeinträchtigen.
- Das Bild wird möglicherweise nicht korrekt angezeigt, wenn für den Eingangsmodus nicht die PC DVI-D/AV DVI-D-Anschlüsse verwendet werden. Schalten Sie in diesem Fall die Stromzufuhr zu allen in Serie geschalteten Monitoren ab und wieder an.
- Wenn mehrere Monitor in Serie miteinander verbunden sind, müssen Sie AUTO INPUT CHANGE <AUTO (EINGANG)> auf OFF <AUS> stellen.
- Die Videoausgabe ist in den folgenden Fällen deaktiviert: Wenn der Eingangsmodus PC HDMI/AV HDMI ist Wenn PIP SOURCE <PIP QUELLE> im Menü PIP/PbyP auf PC HDMI oder AV HDMI eingestellt ist Wenn das Gerät ausgeschaltet ist Wenn sich der Monitor im "Eingangssignal-Wartemodus" befindet

# Anschließen des Netzkabels

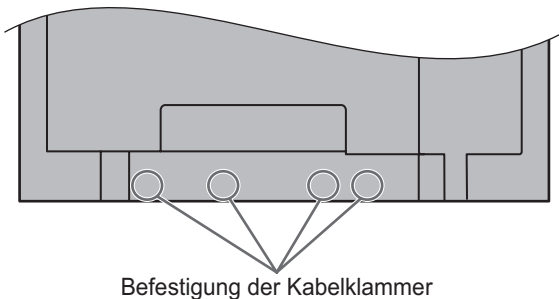
## ! Vorsicht

- Verwenden Sie nur das mit dem Monitor gelieferte Netzkabel.
1. Schalten Sie den Hauptschalter aus.
  2. Stecken Sie das Netzkabel (im Lieferumfang enthalten) in die Netzsteckdose.
  3. Stecken Sie das Netzkabel (im Lieferumfang enthalten) in die Wandsteckdose.



# Bündelung von Kabeln

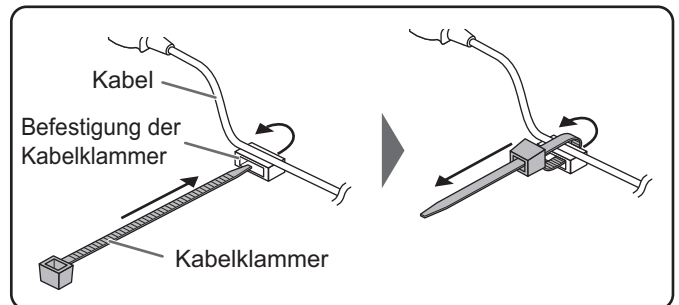
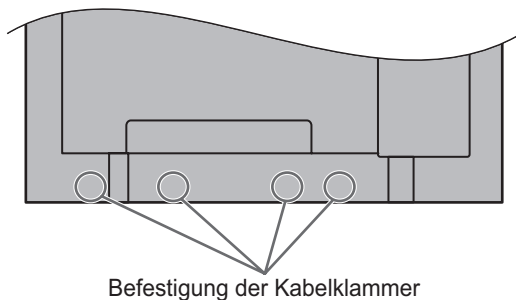
[PN-E471]



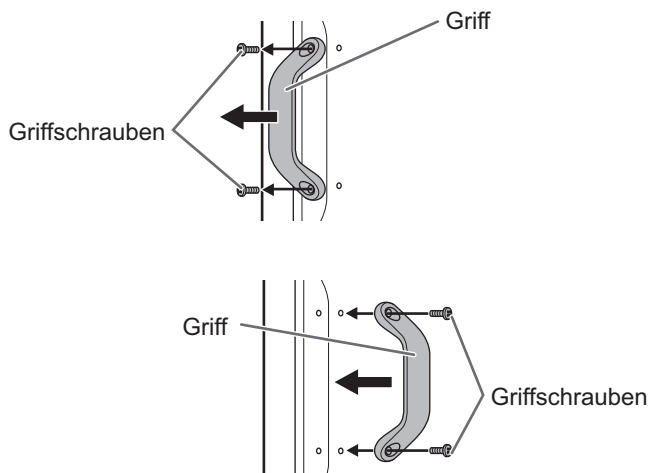
Die auf der Rückseite des Monitors mit den Anschlüssen verbundenen Kabel können mithilfe der Kabelklammer gebündelt und befestigt werden.

Fügen Sie die Kabelklammer in die Befestigungsvorrichtung auf der Rückseite des Monitors ein und befestigen Sie die Kabel.

[PN-E421]



# Entfernen der Griffe



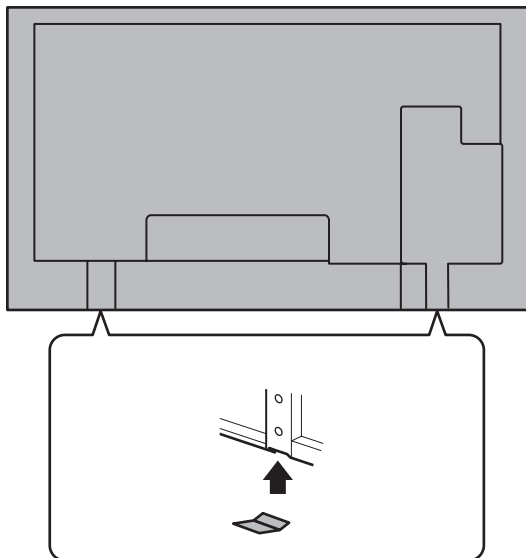
Die Griffe können entfernt werden.  
Die entfernten Griffe können an der Rückseite montiert werden.

## ! Vorsicht

- Die entfernten Griffe und Griffschrauben sind für den Gebrauch an diesem Monitor vorgesehen. Verwenden Sie sie nicht für andere Geräte.
- Vergewissern Sie sich, dass sie ausschließlich die Griffe und Schrauben verwenden, die zuvor vom Monitor entfernt wurden, um die Griffe erneut zu montieren.
- Achten Sie darauf, dass die Griffe gut befestigt sind.



# Ankleben der Schutzabdeckungen für die Fußöffnungen



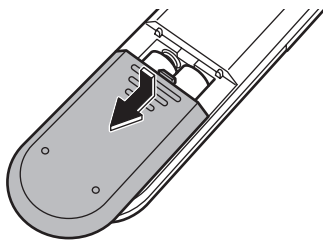
Kleben Sie, falls erforderlich, nach der Installation des Monitors die Schutzabdeckungen für die Fußöffnungen an.

1. Ziehen Sie das Abdeckpapier ab und kleben Sie die Abdeckung an den Monitor.

## Vorbereiten der Fernbedienung

### Einlegen der Batterien

1. Drücken Sie leicht auf den Batteriefachdeckel und schieben Sie ihn in die Richtung des Pfeils.



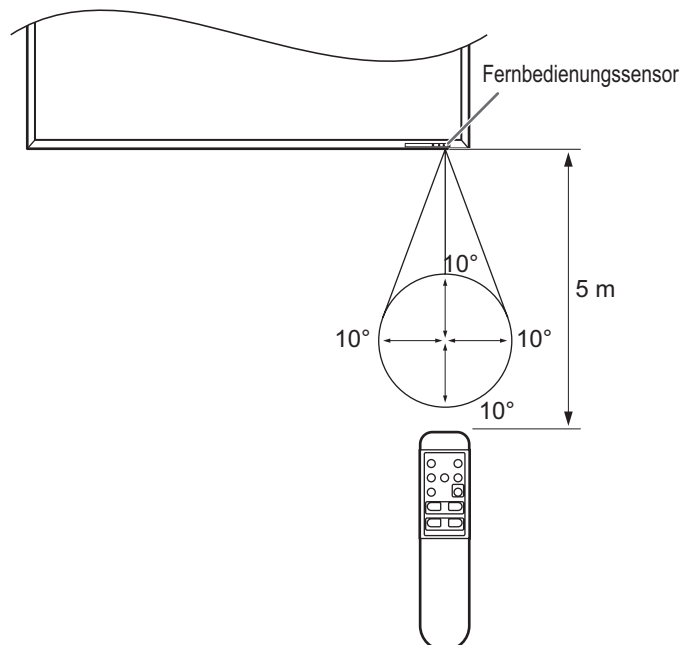
2. Beachten Sie die Anweisungen im Fachinneren und legen Sie die mitgelieferten Batterien (2 R-03 Batterien, d. h. Größe "AAA", Mignonzelle) richtig ein (auf die Plus- (+) und Minus- (-) Seite achten).
3. Schließen Sie die Abdeckung.

#### TIPPS

- Wenn die Batterien schwach werden, ersetzen Sie sie bitte rechtzeitig durch neue, (handelsübliche) Batterien desselben Typs.
- Die im Lieferumfang enthaltenen Batterien (2 R-03 Batterien, d. h. Größe "AAA", Mignonzelle) können je nach Lagerungszustand möglicherweise rasch leer werden.
- Wenn Sie die Fernbedienung längere Zeit nicht verwenden, entnehmen Sie die Batterien.
- Verwenden Sie ausschließlich Mangan- oder Alkalibatterien.

### Reichweite der Fernbedienung

Die Fernbedienung funktioniert bis zu einem Abstand von etwa 5 m innerhalb eines Winkels von etwa 10° zur Mitte des Fernbedienungssensors am Monitor.



#### TIPPS

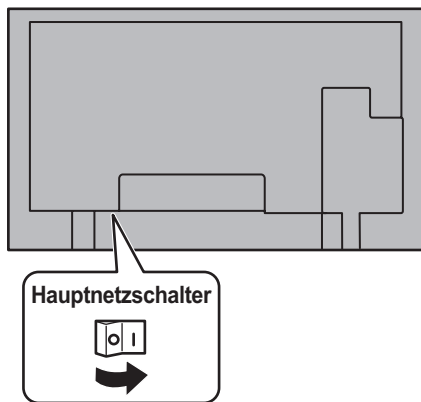
- Setzen Sie die Fernbedienung keinen Stößen aus, und treten Sie nicht darauf. Fehlfunktionen oder ein Defekt könnten die Folge sein.
- Schütten Sie keine Flüssigkeiten über die Fernbedienung und bewahren Sie sie nicht an Orten mit hoher Luftfeuchtigkeit auf.
- Wenn der Fernbedienungssensor direktem Sonnenlicht oder starker Beleuchtung ausgesetzt ist, kann die Fernbedienung unter Umständen nicht richtig funktionieren.
- Gegenstände zwischen der Fernbedienung und dem Fernbedienungssensor können die Funktion der Fernbedienung ebenfalls beeinträchtigen.
- Ersetzen Sie schwache Batterien, da diese die Reichweite der Fernbedienung verkürzen.
- Ein in der Nähe der Fernbedienung eingeschaltetes Fluoreszenzlicht kann die Funktion der Fernbedienung beeinträchtigen.
- Verwenden Sie die Fernbedienung nicht zusammen mit der Fernbedienung anderer Geräte, wie z.B. einer Klimaanlage oder einer Stereoanlage.

# Ein- und ausschalten

## ! Vorsicht

- Schalten Sie zuerst den Monitor und erst danach den PC oder ein anderes Wiedergabegerät ein.

## Einschalten des Netzstroms



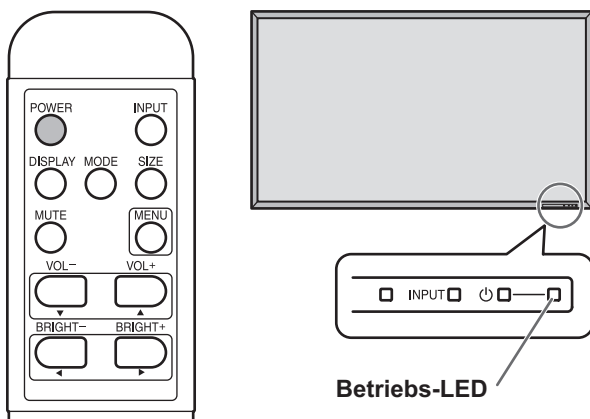
## ! Vorsicht

- Die Hauptstromversorgung muss mithilfe des Hauptnetzschalters ein- und ausgeschaltet werden. Während der Hauptschalter eingeschaltet ist, darf das Netzkabel nicht abgezogen/angeschlossen oder der Trennschalter ein- und ausgeschaltet werden.
- Warten Sie zwischen dem Ein- und Ausschalten des Hauptnetzschalters oder der POWER-Taste immer mindestens 5 Sekunden.

## Ein- und ausschalten

Drücken Sie auf die POWER-Taste, um den Monitor ein- bzw. auszuschalten.

Wenn der Hauptnetzschalter ausgeschaltet ist, kann der Monitor über den Netzschalter (POWER) an der Fernbedienung nicht eingeschaltet werden.



Status einer Betriebs-LED	Betriebszustand des Monitors
Grün leuchtend	Monitor eingeschaltet
Orange leuchtend	Monitor ausgeschaltet (Standby-Modus)
Grün blinkend	Eingangssignal-Wartemodus

## ! Vorsicht

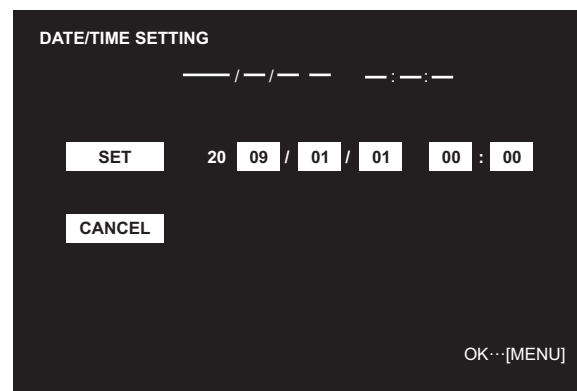
- Warten Sie zwischen dem Ein- und Ausschalten des Hauptnetzschalters oder der POWER-Taste immer mindestens 5 Sekunden. Ist der zeitliche Abstand kurz, kann es zu Fehlfunktionen kommen.

## TIPPS

- Befindet sich der Monitor im Eingangssignal Standby-Modus und Sie drücken auf die POWER-Taste auf der Fernbedienung, wechselt der Monitor in den Standby-Modus.
- Sie können den Monitor durch Drücken des Netzschalters an der Vorderseite des Monitors ein- und ausschalten.
- Bei der Einstellung von SCHEDULE <ZEITPLAN> blinkt die Betriebs-LED im Standby-Modus abwechselnd in Rot und Orange.

## Einstellung von Datum/Uhrzeit

- Muss die Zeit erst eingestellt werden, wenn der Monitor zum ersten Mal eingeschaltet wird, erscheint der Einstellbildschirm für Datum/Uhrzeit. Stellen Sie das Datum und die Uhrzeit ein.



- Drücken Sie auf , , oder , um das Datum und die Uhrzeit auszuwählen, und drücken Sie auf oder , um die Zahlenwerte zu ändern.
  - Wählen Sie SET <GESETZT> aus und drücken Sie dann auf .
- Stellen Sie jetzt das Datum und die Uhrzeit ein.
  - Der Bildschirm für die Einstellung des Datums bzw. der Uhrzeit schließt sich automatisch, wenn innerhalb von ca. 15 Sekunden keine Bedienung erfolgt. Datum und Uhrzeit können mit DATE/TIME SETTING <EINSTELLUNG DATUM/ZEIT> im Menü OPTION <OPTIONEN> eingestellt werden, wenn der Bildschirm für die Einstellung des Datums bzw. der Uhrzeit verschwindet.

## TIPPS

- Geben Sie das Datum in der Reihenfolge "Jahr/Monat/Tag" ein.
- Geben Sie die Zeit in der 24h-Schreibweise ein.
- Die Uhr wird mithilfe der internen Batterie betrieben.
- Wenn beim Einschalten des Geräts das Fenster zur Einstellung von Uhrzeit und Datum erscheint, obwohl Sie Zeit und Datum bereits eingestellt haben, ist möglicherweise die interne Batterie leer. Wenden Sie sich für den Austausch der Batterie an Ihren Sharp-Händler oder das nächstgelegene Sharp Servicecenter.
- Geschätzte Lebensdauer der internen Batterie: circa 5 Jahre (abhängig von der Nutzung des Monitors)
- Da die erste Batterie bereits im Werk eingebaut wurde, ist es möglich, dass sie vor Ablauf der geschätzten Lebensdauer erschöpft ist.

## Deaktivierung der Ein-/Ausschaltfunktionen





Die Ein-/Ausschaltfunktionen können deaktiviert werden, um den Monitor gegen unabsichtliche Abschaltung zu schützen. Stellen Sie ADJUSTMENT LOCK <OSD GESPERRT> im Menü FUNCTION <FUNKTION> auf "2". (Siehe KURZANLEITUNG.)

PN-E471  
PN-E421

# ЖК МОНИТОР РУССКИЙ

## ВАЖНАЯ ИНФОРМАЦИЯ

**ПРЕДОСТЕРЕЖЕНИЕ:** для уменьшения опасности возникновения пожара или поражения электрическим током не подвергайте данное изделие воздействию дождя или влаги.

 <p><b>ВНИМАНИЕ</b></p> <p>ОПАСНОСТЬ ПОРАЖЕНИЯ ЭЛЕКТРИЧЕСКИМ ТОКОМ НЕ ОТКРЫВАТЬ</p> 		<p>Знак молнии со стрелкой на конце внутри равностороннего треугольника предупреждает пользователя о наличии внутри корпуса неизолированного “опасного напряжения” такой величины, что оно представляет угрозу поражения электрическим током для людей.</p>
<p><b>ВНИМАНИЕ!</b> НЕ УДАЛЯЙТЕ КРЫШКУ, ЧТОБЫ СНИЗИТЬ ОПАСНОСТЬ ПОРАЖЕНИЯ ЭЛЕКТРИЧЕСКИМ ТОКОМ. ВНУТРИ ПРИБОРА НЕТ ДЕТАЛЕЙ, КОТОРЫЕ МОГУТ ОБСЛУЖИВАТЬСЯ ПОЛЬЗОВАТЕЛЕМ. ДЛЯ ОБСЛУЖИВАНИЯ ОБРАЩАЙТЕСЬ К КВАЛИФИЦИРОВАННОМУ ПЕРСОНАЛУ СЕРВИСНЫХ ЦЕНТРОВ.</p>		<p>Восклицательный знак внутри треугольника предупреждает пользователя о наличии важных инструкций по эксплуатации и использованию (сервису) в литературе, которая поставляется в комплекте с изделием.</p>

РУССКИЙ

**ВНИМАНИЕ!** Розетка переменного тока должна находиться вблизи оборудования таким образом, чтобы к ней обеспечивался беспрепятственный доступ.

**ВНИМАНИЕ!** Используйте только шнур питания, входящий в комплект поставки.

В данном изделии используются люминесцентные лампы, в которых содержится небольшое количество ртути. Утилизация этих материалов должна быть под контролем ввиду их опасности для окружающей среды. Для получения информации по утилизации или повторному использованию свяжитесь с местными властями.

# ВАЖНАЯ ИНФОРМАЦИЯ (Продолжение)



**BZ02**

## ИНФОРМАЦИЯ О СЕРТИФИКАЦИИ ПРОДУКЦИИ

ЖК МОНИТОР  
МОДЕЛИ PN-E471 И PN-E421 ШАРП

Сертифицирован компанией ГОСТ-АЗИЯ  
Официальным представителем ГОССТАНДАРТА России

Модели PN-E471 и PN-E421 Шарп соответствуют  
требованиям нормативных документов

По безопасности: ГОСТ Р МЭК 60950-1-2005  
По ЭМС: ГОСТ Р 51318.22-99,  
ГОСТ Р 51318.24-99,  
ГОСТ Р 51317.3.2-2006,  
ГОСТ Р 51317.3.3-99

**Страна-изготовитель: Произведено в Японии**

**Фирма-изготовитель: ШАРП Корпорейшн**

**Юридический адрес изготовителя: 22-22 Нагайке-чо, Абено-ку, Осака 545-8522, Япония**

Во исполнение Статьи 5 Закона Российской Федерации "О защите прав потребителей", а также Указа Правительства Российской Федерации №720 от 16 июня 1997 г. устанавливается срок службы данной модели – 5 лет с момента производства при условии использования в строгом соответствии с инструкцией по эксплуатации и применяемыми техническими стандартами.

# УВАЖАЕМЫЙ КЛИЕНТ КОМПАНИИ SHARP

Благодарим вас за приобретение ЖК монитора SHARP. Для обеспечения безопасности и многолетней беспроблемной эксплуатации приобретенного вами изделия внимательно прочтите правила по технике безопасности перед тем, как начать его эксплуатацию.

## ПРАВИЛА ТЕХНИКИ БЕЗОПАСНОСТИ

Электричество используется для выполнения многих полезных функций, но оно также может причинять травмы персоналу и быть причиной повреждения имущества в случае неправильного обращения с ним. Данное изделие спроектировано и произведено с обеспечением максимальной безопасности. Однако неправильная эксплуатация может привести к поражению электрическим током и/или возникновению пожара. В целях предотвращения потенциальной угрозы соблюдайте следующие инструкции по установке, эксплуатации и чистке данного изделия. Для обеспечения вашей безопасности и увеличения срока эксплуатации вашего ЖК монитора внимательно прочтите следующие правила, прежде чем приступать к эксплуатации данного изделия.

1. Прочтите инструкции – Прежде чем начать эксплуатацию изделия, необходимо прочесть и понять все инструкции по его эксплуатации.
2. Храните данное руководство в надежном месте – Данные инструкции по безопасности и эксплуатации следует хранить в надежном месте, чтобы можно было обратиться к ним впоследствии.
3. Подчиняйтесь предостережениям – Все предостерегающие надписи и знаки, имеющиеся на изделии и в инструкции, должны строго соблюдаться.
4. Следуйте инструкциям – Необходимо следовать всем инструкциям по эксплуатации.
5. Чистка – Прежде чем приступать к чистке изделия, необходимо достать вилку из розетки переменного тока. Для чистки изделия необходимо использовать сухую тряпку. Запрещается использовать для этих целей жидкие или аэрозольные чистящие средства.
6. Принадлежности – Запрещается использовать принадлежности, не рекомендованные производителем данного изделия. Использование других принадлежностей может стать причиной несчастных случаев.
7. Вода и влага – Запрещается использовать изделия возле источников воды. Не размещайте монитор в месте, где на него может попасть вода. При размещении обратите внимание на оборудование, использующее в работе воду, например, кондиционер.
8. Вентиляция – Вентиляционные отверстия и другие отверстия в корпусе прибора предназначены для вентиляции. Запрещается закрывать или блокировать эти вентиляционные отверстия или другие отверстия, поскольку недостаточная вентиляция может привести к перегреву и/или сокращению срока службы изделия. Запрещается устанавливать изделие на софу, ковер или другие аналогичные поверхности, поскольку они могут заблокировать вентиляционные отверстия. Запрещается устанавливать изделие в закрытых пространствах, таких как книжный шкаф или полка, если там не обеспечена надлежащая вентиляция, за исключением случаев, когда это предусмотрено в инструкции производителя.
9. Защита шнура питания – Шнур питания должен размещаться таким образом, чтобы на него не наступали люди и не устанавливались какие-либо предметы.
10. ЖК панель, которая используется в данном изделии, изготавливается из стекла. Следовательно, она может разбиться в случае, если изделие уронят или нанесут по нему удар. Проявляйте осторожность, чтобы вас не повредили осколки разбитого стекла в случае, если ЖК панель будет разбита.
11. Перегрузка – Запрещается перегружать розетку переменного тока и/или удлинительные кабели. Перегрузка может привести к пожару или поражению электрическим током.
12. Попадание внутрь корпуса предметов и жидкостей – Категорически запрещается вставлять какие-либо предметы внутрь изделия через вентиляционные или другие отверстия. Внутри изделия подается высокое напряжение, поэтому просовывание в его корпус через отверстие какого-либо предмета может привести к поражению электрическим током и/или короткому замыканию некоторых деталей.  
По той же причине запрещается допускать попадание внутрь изделия воды или других жидкостей.
13. Обслуживание – Запрещается заниматься обслуживанием изделия самостоятельно. Если вы будете снимать крышки, то можете подвергнуться воздействию высокого напряжения и других опасных факторов. Обратитесь к квалифицированному обслуживающему персоналу для выполнения обслуживания.
14. Ремонт – Если произойдет что-либо из перечисленного ниже, извлеките из розетки переменного тока вилку шнура питания и обратитесь к квалифицированному обслуживающему персоналу за выполнением необходимых ремонтных работ.
  - a. Поврежден шнур питания или вилка.
  - b. В случае попадания в изделие жидкости или каких-либо других предметов.
  - c. Когда изделие попало под дождь или в воду.
  - d. Когда изделие не работает так, как это описано в инструкции по эксплуатации.  
Запрещается трогать органы управления помимо тех, что описаны в инструкциях по эксплуатации. Неправильная регулировка органов управления, которая не описана в инструкциях, может привести к повреждениям, для устранения которых зачастую требуется привлечь квалифицированных специалистов, которым приходится выполнять большой объем работ по регулировке.
  - e. В случае, если изделие уронили или повредили.
  - f. В случае, если в рабочем изделии наблюдаются какие-либо отклонения. Явные отклонения в работе изделия указывают на то, что требуется его обслуживание.

# ПРАВИЛА ТЕХНИКИ БЕЗОПАСНОСТИ (Продолжение)

15. Запасные детали — Если для изделия потребуются запасные детали, убедитесь в том, что выполняющий обслуживание человек использует запасные детали, указанные производителем или аналогичные детали с такими же характеристиками и производительностью, как и оригинальные. Использование деталей, не рекомендованных производителем, может привести к возгоранию, поражению электрическим током или созданию других опасных ситуаций.
16. Проверки безопасности — После завершения работ по обслуживанию или ремонту попросите техника по обслуживанию произвести проверку безопасности, чтобы убедиться, что изделие находится в надлежащем рабочем состоянии.
17. Крепление на стену — При креплении изделия на стену необходимо убедиться в том, что оно установлено с использованием метода, рекомендованного его производителем.
18. Источники тепла — Держите изделие вдали от источников тепла, таких как радиаторы, нагреватели, плиты и другое оборудование, генерирующее тепло (включая усилители).
19. Батарейки — Неправильное использование батареек может привести к их взрыву или возгоранию. Протекание батареек может вызвать коррозию оборудования, испачкать ваши руки или повредить одежду. Чтобы избежать подобных проблем, строго выполняйте перечисленные ниже требования техники безопасности:
  - Используйте только рекомендуемый тип батареек.
  - В соответствии с инструкциями в отсеке для батареек вставьте поставляемые батарейки, правильно сориентировав их стороны с знаками (+) и (-).
  - Не используйте одновременно старые и новые батарейки.
  - Не используйте батарейки различных типов. Напряжение батареек одинаковой формы может отличаться.
  - Оперативно заменяйте разрядившуюся батарейку новой.
  - Если вы предполагаете не пользоваться пультом дистанционного управления длительное время, извлеките из него батарейки.
  - Если жидкость из батарейки попала на вашу кожу или одежду, немедленно и тщательно промойте их. Если жидкость попала вам в глаза, тщательно промойте их, но не трите, и немедленно обратитесь к врачу. Попадание жидкости из батарейки в глаза или на одежду может вызвать раздражение кожи или повредить глаз.
20. Использование монитора не должно сопровождаться созданием фатальных угроз или же опасностей, которые могут непосредственно привести к смерти, получению травм, серьезных физических повреждений или потерь, включая управление ядерной реакцией в ядерных установках, медицинских системах поддержания жизни, а также управление запусками ракет в системах вооружений.
21. Не следует в течение длительного времени находиться в контакте с нагревающимися деталями изделия. Это может привести к возникновению низкотемпературных ожогов.

## **ПРЕДОСТЕРЕЖЕНИЕ:**

Данное изделие относится к классу А. При использовании в домашних условиях данное изделие может создавать радиопомехи, и пользователю, возможно, необходимо будет принять меры для их устранения.

С целью выполнения требований электромагнитной совместимости (ЭМС), используйте экранированные кабели для подключения к следующим разъемам: выходной разъем ПК/AV DVI-D, входной разъем ПК/AV DVI-D, входной разъем ПК/AV HDMI, входной разъем ПК D-sub, входные разъемы ПК RGB и входные/выходные разъемы RS-232C.

Если монитор установлен на недостаточно стабильной поверхности, это может быть опасным, так как он может упасть. Многие травмы, особенно детей, можно предотвратить с помощью следующих простых мер предосторожности:

- использование настенных кронштейнов или опор, рекомендованных производителем монитора;
- использование только тех предметов мебели, которые могут выдержать вес монитора;
- монитор не должен нависать над краем предмета мебели, на котором он установлен;
- монитор не следует устанавливать на высокие предметы (например, шкафы или стеллажи) без соответствующего крепления предмета мебели и монитора к подходящей основе;
- монитор не следует ставить на ткань или другие материалы, находящиеся между монитором и предметом мебели;
- объясняйте детям, что забираться на мебель, чтобы достать до монитора или его частей, может быть опасно.

## **Особые меры безопасности для детей**

- Не позволяйте детям забираться на монитор или играть рядом с ним.
- Не устанавливайте монитор на мебели, которая может использоваться в качестве ступеней (например, комод).
- Помните, что дети выражать бурные эмоции во время просмотра программ, особенно на огромном мониторе. Монитор следует устанавливать в месте, где дети не смогут его двигать, тянуть или уронить.
- Все шнуры и кабели должны быть подведены таким образом, чтобы любопытные дети не могли их тянуть и хвататься за них.

# СОВЕТЫ И ИНСТРУКЦИИ ПО ОБЕСПЕЧЕНИЮ БЕЗОПАСНОСТИ

- Цветная ЖК панель TFT, которая используется в данном мониторе, изготавливается с использованием высокоточной технологии. Однако на экране все же могут быть небольшие точки, в которых пиксели никогда не загораются или не гаснут. Кроме того, если на экран смотреть под острым углом, на нем могут наблюдаться участки с неодинаковыми цветами или яркостью. Следует знать, что это не неисправности, а общие недостатки ЖК мониторов, и они не оказывают влияния на характеристики монитора.
- Нельзя оставлять на экране неподвижную картину на долгое время, поскольку она может стать источником остаточного изображения.
- Категорически запрещается царапать или касаться экрана монитора твердыми предметами.
- Следует понимать, что корпорация Sharp не несет какой-либо ответственности за ошибки, совершенные клиентом или третьей стороной во время эксплуатации, или же какие-либо другие неисправности или повреждения данного изделия, появившиеся во время его эксплуатации, за исключением случаев, когда такая ответственность возлагается в соответствии с законом.
- Данный монитор и его принадлежности могут усовершенствоваться без предварительного уведомления.
- Запрещается использовать монитор в запыленных местах, местах с высокой влажностью или же там, где монитор может соприкоснуться с маслами или паром, поскольку это может стать причиной возгорания.
- Следите за тем, чтобы монитор не соприкасался с водой или другими жидкостями. Следите за тем, чтобы никакие предметы, такие как скрепки для бумаги, иголки, заколки, не попадали внутрь корпуса монитора, поскольку это может стать причиной пожара или привести к поражению электрическим током.
- Запрещается устанавливать монитор сверху неустойчивых предметов или же в местах, где не гарантируется его безопасность. Запрещается подвергать монитор воздействию сильных ударов или вибрации. Если монитор упадет или опрокинется, это может его повредить.
- Запрещается использовать монитор вблизи нагревательного оборудования или в тех местах, где он может подвергаться воздействию высокой температуры, поскольку это может привести к его избыточному нагреву и, как результат, к возгоранию.
- На этом мониторе вы не можете вращать изображение. В случае использования вертикального расположения, вам необходимо заранее подготовить контент с соответствующим расположением.  
(PN-E471 не может эксплуатироваться в вертикальной ориентации.)

## Сетевой шнур

- Запрещается повреждать сетевой шнур или ставить на него тяжелые предметы, растягивать его или сильно изгибать. Его также нельзя наращивать. Повреждение шнура может привести к пожару или поражению электрическим током.
- Используйте только тот шнур питания, который поставляется вместе с монитором.
- Не используйте шнур питания с блоком розеток. Наращивание шнура питания может привести к пожару по причине его перегрева.

- Запрещается вынимать или вставлять вилку сетевого шнура в розетку мокрыми руками. Это может привести к поражению электрическим током.
- Извлекайте вилку шнура питания из розетки, если изделие не эксплуатируется длительное время.
- Запрещается чинить шнур питания в случае его поломки или нарушений в работе. Обратитесь за помощью к обслуживающему персоналу.

## Что содержится в этом руководстве

- Microsoft, Windows и Internet Explorer – это зарегистрированные торговые марки корпорации Microsoft Corporation.
- HDMI, логотип HDMI и High-Definition Multimedia Interface – это торговые марки или зарегистрированные торговые марки HDMI Licensing LLC.
- Adobe, Acrobat и Reader – это либо зарегистрированные торговые марки, или торговые марки Adobe Systems Incorporated в США и/или других странах.
- Данное изделие поставляется с растровыми шрифтами RICOH, которые произведены и проданы компанией RICOH COMPANY, LTD.
- Все другие бренды и названия продуктов являются торговыми марками и зарегистрированными торговыми марками соответствующих владельцев.
- В данном руководстве выводимое на экран меню OSD отображается на английском языке в качестве примера.
- Приведенные в данном руководстве иллюстрации могут неточно отображать действительное изделие или изображение.
- В данном руководстве предполагается, что монитор будет использоваться в горизонтальной ориентации, за исключением случаев, когда это оговорено особо.

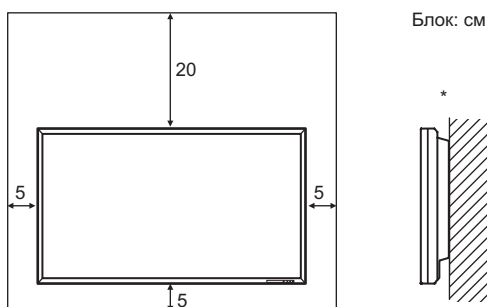
## Люминесцентные лампы

- Люминесцентные лампы, используемые в данном изделии, имеют ограниченный срок службы.
  - \* Если экран гаснет, начинает мигать или не включается, возможно, необходимо заменить люминесцентные лампы. Эти лампы разработаны исключительно для данного монитора и их замену должен осуществлять авторизованный дилер Sharp по обслуживанию или сотрудник сервисного центра.
  - \* За поддержкой обращайтесь к авторизованному дилеру Sharp по обслуживанию или в сервисный центр.
- В связи с определенными качествами люминесцентных ламп экран в начале использования может мигать. Если это случилось, выключите монитор с помощью главного выключателя питания, подождите не менее 5 секунд и затем включите его снова, чтобы убедиться в его работоспособности.

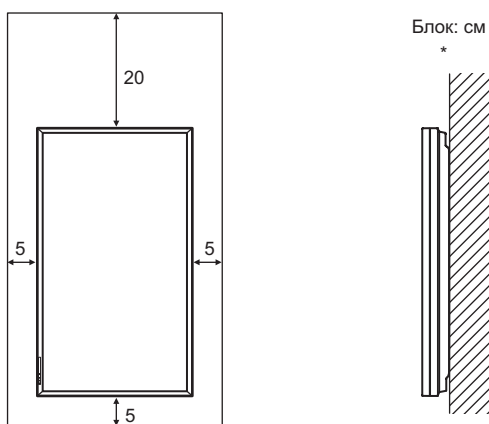
# МЕРЫ ПРЕДОСТОРОЖНОСТИ ПРИ КРЕПЛЕНИИ

- Поскольку монитор имеет большой вес, проконсультируйтесь с дилером перед его установкой, снятием или перемещением.
- При установке, снятии или перемещении монитора следует убедиться, что эту работу выполняют не менее 2 человек.
- Требуется крепежный кронштейн, соответствующий спецификации VESA. Запрещается использовать какие-либо другие отверстия для крепежных винтов, за исключением отверстий VESA.
- При перемещении монитора необходимо удерживать его как за ручки, так и снизу. Не держите монитор за ЖК панель. Это может привести к повреждению изделия, его неисправности или к травмированию людей.
- Установите монитор перпендикулярно горизонтальной поверхности. При необходимости, монитор можно наклонять вверх или вниз под углом до 20 градусов.
- Крепление монитора к стене требует специальных навыков, поэтому такая работа должна выполняться специалистами компании SHARP. Вам не следует предпринимать попыток сделать эту работу самостоятельно. Наша компания не несет какой-либо ответственности за несчастные случаи или травмы, вызванные плохим монтажом или неправильным обращением.
- Данный монитор должен эксплуатироваться при температуре окружающей среды от 0°C до 40°C. Обеспечьте вокруг монитора достаточно пространства, чтобы предотвратить накопление тепла внутри его корпуса.

## Для монитора в горизонтальной ориентации

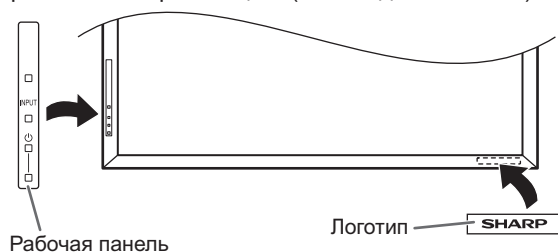


## Для монитора в вертикальной ориентации (только для PN-E421)



\* Данный монитор можно устанавливать вблизи стены. Однако поскольку во время работы монитор генерирует тепло, это может привести к деформированию или обесцвечиванию стены.

- Если сложно обеспечить достаточное пространство по той или иной причине, например, из-за того, что монитор устанавливается внутри кожуха, или из-за того, что температура окружающей среды выходит за диапазон от 0°C до 40°C, установите вентилятор или примите другие меры для того, чтобы температура окружающей среды находилась в пределах требуемого диапазона.
- Температурные условия могут отличаться при использовании дисплея с дополнительным оборудованием, рекомендованным SHARP. В подобных случаях следует ознакомиться с температурными условиями, рекомендованными производителем дополнительного оборудования.
- PN-E471 не может эксплуатироваться в вертикальной ориентации.
- При установке монитора в вертикальной ориентации придерживайтесь следующих рекомендаций. Несоблюдение этих рекомендаций может привести к возникновению неисправностей. (только для PN-E421)
  - Устанавливайте монитор таким образом, чтобы СИД питания располагался на нижней стороне.
  - Установите MONITOR <МОНИТОР> в меню SETUP <УСТАНОВКА> в PORTRAIT <ПОРТРЕТ>. (См. Руководство пользователя.)
- Запрещается блокировать вентиляционные отверстия монитора. Рост температуры внутри корпуса монитора может привести к его неправильному функционированию.
- После установки убедитесь в том, что монитор надежно закреплен на стене и в креплении.
- Запрещается размещать монитор на устройствах, генерирующих тепло.
- Используйте входящий в комплект поставки вертикальный стикер при установке монитора в вертикальной ориентации. (только для PN-E421)



Не удаляйте прикрепленный на заводе стикер, а просто наклейте прилагаемый стикер с логотипом поверх него. При этом нельзя закрывать датчик дистанционного управления или кнопки.

- Убедитесь, что вы используете настенный кронштейн, спроектированный или предназначенный для крепления данного монитора.
- Данный монитор проектировался для установки на бетонные стены или колонны. Для крепления к конструкциям из других материалов, таких как оштукатуренные стены/тонкие пластмассовые панели/деревянные панели, необходимо до установки выполнить определенные работы по их укреплению. Данный монитор и крепежные кронштейны должны устанавливаться на стену, которая может выдерживать как минимум 4-кратный вес монитора. Установку необходимо выполнять, используя подходящий для материала и конструкции метод.
- При подсоединении опционального устройства следуйте инструкциям, содержащимся в руководстве к опциональному устройству.
- Следует использовать только с настенными кронштейнами, одобренными UL, с минимальным весом/нагрузкой: для модели PN-E471 – 102 кг, для модели PN-E421 – 88 кг.



# Содержание

<b>ВАЖНАЯ ИНФОРМАЦИЯ</b> .....	1	<b>Установка защитных заглушек отверстий стойки</b> ..	11
<b>УВАЖАЕМЫЙ КЛИЕНТ КОМПАНИИ SHARP</b> .....	3	<b>Подготовка пульта дистанционного управления</b> ... 11	
<b>ПРАВИЛА ТЕХНИКИ БЕЗОПАСНОСТИ</b> .....	3	Установка батареек.....	11
<b>СОВЕТЫ И ИНСТРУКЦИИ ПО ОБЕСПЕЧЕНИЮ</b>		Диапазон действия пульта дистанционного	
<b>БЕЗОПАСНОСТИ</b> .....	5	управления.....	11
<b>МЕРЫ ПРЕДОСТОРОЖНОСТИ ПРИ КРЕПЛЕНИИ</b> .....	6	<b>Включение/выключение питания</b> .....	12
<b>Комплектные принадлежности</b> .....	7	Подключение электропитания.....	12
<b>Подсоединение периферийного оборудования</b> .....	8	Включение/выключение питания .....	12
Соединение с оборудованием ПК или AV .....	8	Блокировка операций вкл./выкл. питания .....	12
Подключение, если подсоединена			
PN-ZB01 (опция).....	9		
<b>Присоединение шнура питания</b> .....	10		
<b>Подключение кабелей</b> .....	10		
<b>Снятие ручек</b> .....	10		

Данное руководство содержит инструкции по подключению и установке.  
Другие инструкции содержатся в руководствах пользователя в папке "manual" на прилагаемом CD-ROM.  
Для просмотра руководств пользователя требуется программа Adobe Reader.

## Комплектные принадлежности

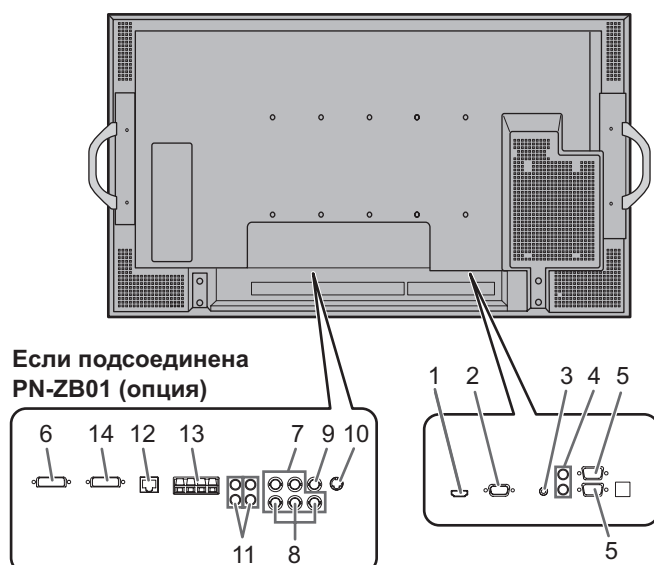
В случае отсутствия какого-либо компонента, свяжитесь со своим дилером.

- Монитор с жидкокристаллическим дисплеем: 1
- Пульт дистанционного управления: 1
- Зажим кабеля: 2
- Шнур питания
- Батарейки R-03 (тип "AAA"): 2
- Компакт-диск: 1  
(Компакт-диск с сервисными программами для Windows)
- Руководство по эксплуатации: 1
- Защитная заглушка отверстия стойки: 2
- Вертикальный стикер (Рабочая панель): 1 (только для PN-E421)
- Вертикальный стикер (Логотип): 1 (только для PN-E421)
- Пустой стикер: 1  
Наклейте пустой стикер на логотип SHARP, чтобы закрыть его.

\* Права собственности на программы, содержащиеся на компакт-диске с утилитами, принадлежат корпорации Sharp Corporation. Запрещается воспроизводить их без ее разрешения.

\* Для защиты окружающей среды!  
Запрещается выбрасывать батарейки в домашний мусор. Следуйте инструкциям по утилизации, действующим там, где вы проживаете.

# Подсоединение периферийного оборудования



## Внимание

- Проверьте, что вы выключили главный выключатель питания и вынули вилку из электрической розетки, прежде чем присоединять/отсоединять кабели. Также прочтите руководство пользователя того оборудования, которое будет подсоединяться.
- Будьте внимательны и не перепутайте при подсоединении кабелей входной и выходной разъемы. Если кабели, подсоединенные к входному и выходному разъемам, будут случайно перепутаны, это может стать причиной возникновения неисправностей и других проблем.

## ПОДСКАЗКИ

- Изображения могут отображаться неправильно в зависимости от подсоединяемого компьютера (видеокарта).
- Экран с разрешением 1920 x 1080, возможно, не будет отображаться правильно через PC RGB <ПК RGB>. В этом случае проверьте настройки вашего компьютера (видеокарты) и убедитесь в том, что входные сигналы соответствуют спецификациям данного монитора. (См. Руководство пользователя.)
- Если имеется кнопка-флажок для блокировки EDID на панели управления дисплея, отметьте ее при использовании PC RGB <ПК RGB>.
- Используйте автоматическую настройку экрана при передаче изображения экрана ПК в первый раз с помощью PC D-SUB <ПК D-SUB> или PC RGB <ПК RGB>, или при изменении настроек ПК. Экран настраивается автоматически, когда SELF ADJUST <АВТОМАТИЧЕСКАЯ НАСТРОЙКА> в меню OPTION <ОПЦИЯ> установлена в ON <ВКЛ>.
- Если устройство воспроизведения подключено напрямую через аудиовыход к динамикам или другим устройствам, видео на мониторе может запаздывать по отношению к звуку.  
Для проигрывания звука устройство воспроизведения должно быть подключено к аудиовыходу монитора, а к аудиовыходу монитора должны быть подсоединены динамики или другие устройства.
- Входные разъемы аудио, используемые в каждом из режимов входа, имеют следующие настройки по умолчанию:

Режим ввода	Входной разъем аудио (настройка по умолчанию)
PC D-SUB <ПК D-SUB>, PC DVI-D <ПК DVI-D>, PC RGB <ПК RGB>	Входной разъем аудио
AV DVI-D	Входной разъем аудио1
AV COMPONENT <AV КОМПОНЕНТ>, AV S-VIDEO <AV S-ВИДЕО>, AV VIDEO <AV ВИДЕО>	Входной разъем аудио2
PC HDMI <ПК HDMI>, AV HDMI	Входной разъем ПК/AV HDMI

## Соединение с оборудованием ПК или AV

### 1. Входной разъем ПК/AV HDMI

- Используйте имеющийся в продаже кабель HDMI (совместимый со стандартом HDMI) для подключения к входному разъему ПК/AV HDMI.
- Установите HDMI в INPUT SELECT <ВЫБОР ВХОДА> в меню OPTION <ОПЦИЯ> в соответствии с подключаемым устройством.
- Выберите используемый входной разъем аудио в PC HDMI <ПК HDMI> или AV HDMI в AUDIO SELECT <ВЫБРАТЬ АУДИО ВХОД> в меню OPTION <ОПЦИЯ>. При выборе HDMI нет необходимости подсоединяться к входному аудио-разъему.

### 2. Входной разъем ПК D-sub

- Если подсоединена PN-ZB01 (опция), выберите используемый входной разъем аудио в PC D-SUB <ПК D-SUB> в AUDIO SELECT <ВЫБРАТЬ АУДИО ВХОД> в меню OPTION <ОПЦИЯ>.

### 3. Входной разъем аудио

- Используйте аудио кабель без сопротивления.
- Если подсоединена PN-ZB01 (опция), установите используемый входной разъем аудио для каждого режима входа в AUDIO SELECT <ВЫБРАТЬ АУДИО ВХОД> в меню OPTION <ОПЦИЯ>.

### 4. Выходные разъемы аудио

- Звук на выходе отличается в зависимости от режима входа.
- Громкость звука на выходе можно зафиксировать с помощью параметра AUDIO OUTPUT <АУДИО ВЫХОД> в меню OPTION <ОПЦИЯ>.
- Звук на выходе из выходных разъемов невозможно регулировать с помощью меню AUDIO <АУДИО>.

### 5. Входной разъем RS-232C

#### Выходной разъем RS-232C

- Вы можете управлять монитором с ПК, соединив между собой с помощью серийного прямого кабеля RS-232 этот разъем и ПК.

## Подключение, если подсоединена PN-ZB01 (опция)

Терминальная плата PN-ZB01 (опция) позволяет использовать дополнительные выходы.

### 6. Входной разъем ПК/AV DVI-D

- Установите DVI в INPUT SELECT <ВЫБОР ВХОДА> в меню OPTION <ОПЦИЯ> в соответствии с подключаемым устройством.
- Выберите используемый входной разъем аудио в PC DVI-D <ПК DVI-D> или AV DVI-D в AUDIO SELECT <ВЫБРАТЬ АУДИО ВХОД> в меню OPTION <ОПЦИЯ>.

### 7. Входные разъемы ПК RGB

- При использовании входных разъемов ПК RGB установите BNC в INPUT SELECT <ВЫБОР ВХОДА> в меню OPTION <ОПЦИЯ> на PC RGB <ПК RGB>.
- Выберите используемый входной разъем аудио в PC RGB <ПК RGB> в AUDIO SELECT <ВЫБРАТЬ АУДИО ВХОД> в меню OPTION <ОПЦИЯ>.

### 8. Входные разъемы AV компонент

- При использовании входных разъемов AV компонент установите BNC в INPUT SELECT <ВЫБОР ВХОДА> в меню OPTION <ОПЦИЯ> на AV COMPONENT <AV КОМПОНЕНТ>.
- Выберите используемый входной разъем аудио в AV COMPONENT <AV КОМПОНЕНТ> в AUDIO SELECT <ВЫБРАТЬ АУДИО ВХОД> в меню OPTION <ОПЦИЯ>.

### 9. Входной разъем AV видео

- Выберите используемый входной разъем аудио в AV VIDEO <AV ВИДЕО> в AUDIO SELECT <ВЫБРАТЬ АУДИО ВХОД> в меню OPTION <ОПЦИЯ>.

### 10. Входной разъем AV S-видео

- Выберите используемый входной разъем аудио в AV S-VIDEO <AV S-ВИДЕО> в AUDIO SELECT <ВЫБРАТЬ АУДИО ВХОД> в меню OPTION <ОПЦИЯ>.

### 11. Входные разъемы аудио1 / аудио 2

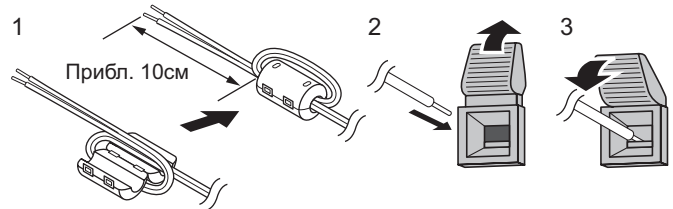
- Выберите используемый входной разъем аудио для каждого режима входа в AUDIO SELECT <ВЫБРАТЬ АУДИО ВХОД> в меню OPTION <ОПЦИЯ>.

### 12. Разъем LAN

- Вы можете управлять монитором с ПК через локальную сеть, соединив данный разъем имеющимся в продаже кабелем LAN с сетью.

### 13. Разъемы внешнего динамика

- Для использования внешних динамиков в меню SETUP <УСТАНОВКА> для SPEAKER SELECT <ВЫБРАТЬ ДИНАМИК> установите значение EXTERNAL <ВНЕШНИЙ>.
- Убедитесь, что внешние динамики имеют сопротивление 6 Ом и более и номинальную входную мощность не менее 10 Вт.



1. Подсоедините сердечник кабеля динамика (входит в комплект PN-ZB01) к концу кабеля динамика, подсоединенного к монитору.
2. Нажимая на язычок, вставьте наконечник кабеля.
3. Отпустите язычок.

#### ПОДСКАЗКИ

- Проверьте, чтобы разъемы + и – правого и левого динамиков были подсоединены правильно.
- Не допускайте короткого замыкания + и – разъемов.
- Если SPEAKER SELECT <ВЫБРАТЬ ДИНАМИК> установлен на EXTERNAL <ВНЕШНИЙ>, внутренние динамики деактивируются.

### 14. Выходной разъем ПК/AV DVI-D

- Видео может быть выведено из входного разъема ПК/AV DVI-D на внешнее устройство.
- Вывод закодированного с помощью HDCP видео требует наличия внешнего устройства с поддержкой HDCP.
- Данный разъем позволяет подключить последовательно до 5 мониторов.

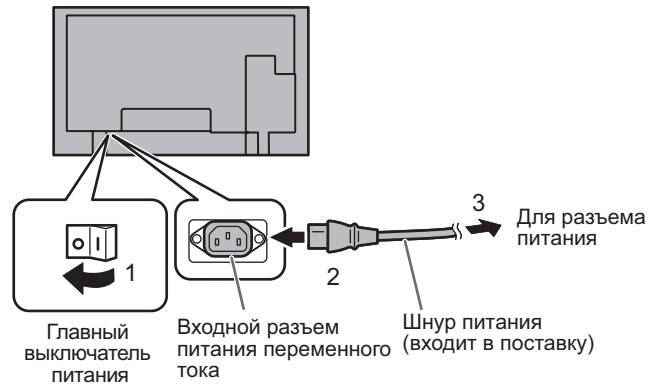
#### ПОДСКАЗКИ

- Длина сигнальных кабелей или окружающая среда могут оказывать влияние на качество изображения.
- Экран может отображаться неправильно, когда для входного режима используются разъемы, отличные от разъемов PC DVI-D <ПК DVI-D>/AV DVI-D. В этом случае отключите питание всех мониторов, соединенных между собой последовательно, а затем включите питание снова.
- При установке мониторов, соединенных между собой последовательно, установите AUTO INPUT CHANGE <АВТОНАСТРОЙКА ВХОДА> в положение OFF <ВЫКЛ>.
- Вывод видео деактивирован в следующих случаях: при режиме PC HDMI <ПК HDMI>/AV HDMI; когда для PIP SOURCE <ИСТОЧНИК PIP> в меню PIP/PbyP установлено значение PC HDMI <ПК HDMI> или AV HDMI; когда питание отключено; когда монитор находится в режиме ожидания входного сигнала.

# Присоединение шнура питания

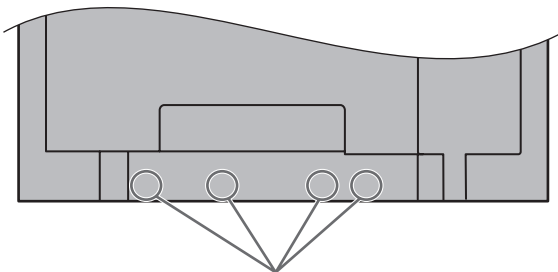
## ! Внимание

- Запрещается использовать другие шнуры питания, отличающиеся от входящего в комплект поставки монитора.
1. Выключите главный выключатель питания.
  2. Вставьте вилку шнура питания (поставляется) в разъем питания переменного тока.
  3. Вставьте вилку шнура питания (поставляется) в розетку питания переменного тока.



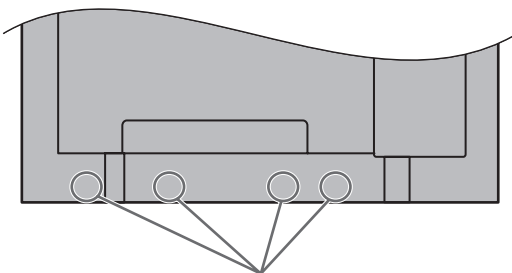
# Подключение кабелей

[PN-E471]



Прикрепление зажима кабеля

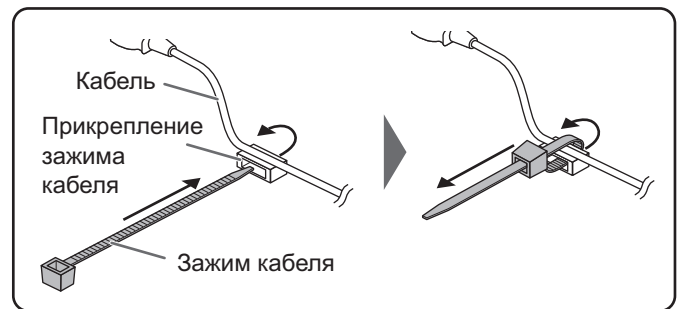
[PN-E421]



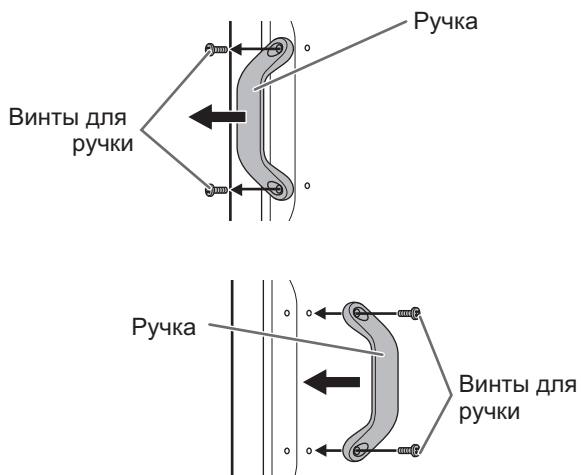
Прикрепление зажима кабеля

Кабели, подсоединенные к разъемам на задней панели монитора, могут быть скреплены с помощью кабельного зажима.

Поместите кабельный зажим в прикрепление зажима кабеля на задней панели монитора и скрепите кабели.



# Снятие ручек



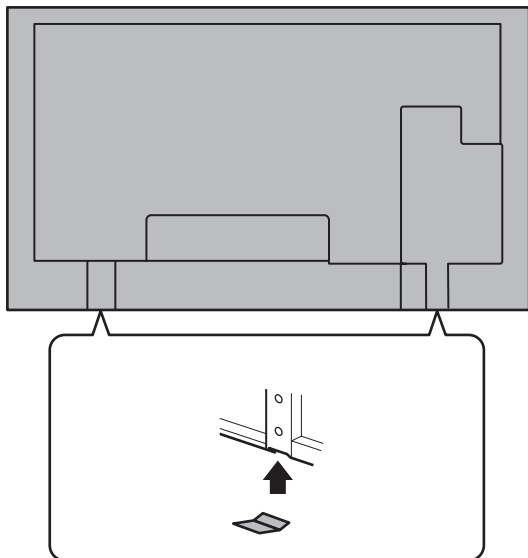
Ручки можно снять.

Снятые ручки могут быть закреплены на задней панели.

## ! Внимание

- Снятые ручки и винты для их крепления предназначены для использования с данным монитором. Не используйте их для других устройств.
- Для крепления ручек используйте ручки и винты, снятые с монитора.
- Убедитесь, что ручки надежно закреплены.

# Установка защитных заглушек отверстий стойки



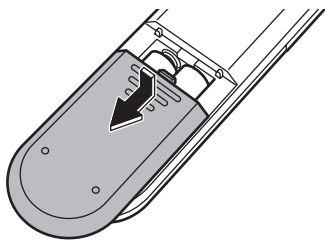
После установки монитора закрепите защитные заглушки отверстий стойки.

1. Отклейте подложку и прикрепите заглушку к монитору.

## Подготовка пульта дистанционного управления

### Установка батареек

1. Легко нажмите на крышку и сдвиньте в направлении стрелки.



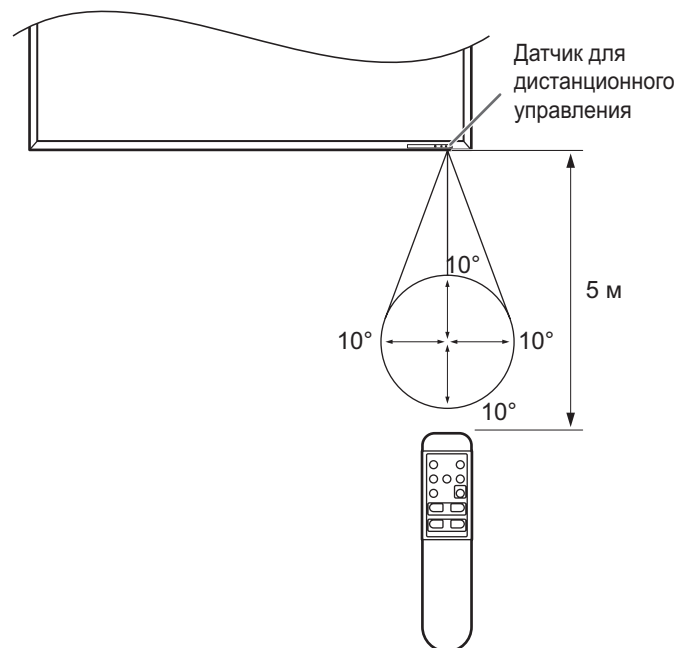
2. В соответствии с инструкциями в отсеке для батареек вставьте поставляемые батарейки (R-03 [тип "AAA"], 2 шт.), правильно сориентировав их стороны с знаками (+) и (-).
3. Закройте крышку.

#### ПОДСКАЗКИ

- Когда батарейки разряжаются, замените их новыми батарейками (производятся серийно).
- Входящие в комплект поставки батарейки (R-03 [тип "AAA"], 2 шт.) могут разряжаться быстрее, в зависимости от того, как их хранить.
- Если вы предполагаете не пользоваться пультом дистанционного управления длительное время, извлеките из него батарейки.
- Допускается использование только марганцевых или щелочных батареек.

### Диапазон действия пульта дистанционного управления

Диапазон действия пульта дистанционного управления равен приблизительно 5 м под углом не более 10° вверх/вниз/вправо/влево от линии, перпендикулярной плоскости датчика монитора для дистанционного управления.



#### ПОДСКАЗКИ

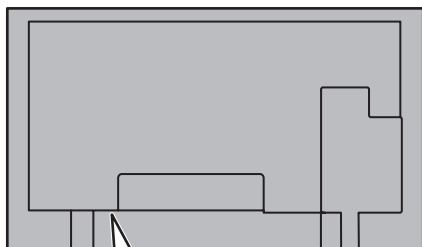
- Не подвергайте пульт дистанционного управления ударам, которые он может получить, если его уронить или наступить на него. Это может привести к его неисправности.
- Не подвергайте пульт дистанционного управления воздействию жидкостей и не помещайте его в места с высокой влажностью.
- Пульт дистанционного управления может работать плохо, если на датчик пульта попадает прямой солнечный свет или сильное освещение.
- Предметы, располагающиеся между пультом дистанционного управления и датчиком для дистанционного управления, могут препятствовать хорошей работе.
- Если батарейки разрядились, замените их, поскольку это может сократить диапазон работы органов дистанционного управления.
- В случае если рядом с пультом дистанционного управления горит люминесцентное освещение, оно может мешать его работе.
- Запрещается использовать пульт дистанционного управления для дистанционного управления другим оборудованием, таким как кондиционер воздуха, стереоаппаратура и т.д..

# Включение/выключение питания

## Внимание

- Включите монитор до того, как будет включен ПК или устройство воспроизведения.

## Подключение электропитания

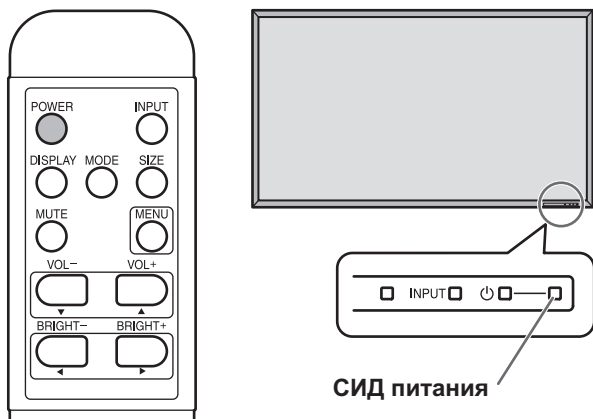


## Внимание

- Питание должно включаться и выключаться с помощью основного выключателя. Не подсоединяйте/отсоединяйте шнур питания и не меняйте положение выключателя, когда основной выключатель питания находится во включенном положении.
- При отключении питания главным выключателем питания или кнопкой POWER повторное включение должно осуществляться не раньше чем через 5 секунд.

## Включение/выключение питания

Для ВКЛ./ВЫКЛ. питания нажимайте кнопку POWER. Когда главный выключатель питания выключен, монитор нельзя включить с помощью кнопки POWER на пульте дистанционного управления.



Статус СИД питания	Статус монитора
Зеленое свечение	Питание вкл.
Оранжевое свечение	Питание выкл. (Режим ожидания)
Мигает зеленым цветом	Режим ожидания входного сигнала

## Внимание

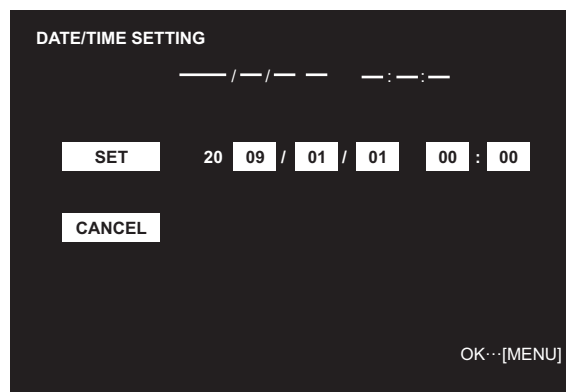
- При отключении питания главным выключателем питания или кнопкой POWER повторное включение должно осуществляться не раньше чем через 5 секунд. Небольшой интервал может привести к возникновению неисправности.

## ПОДСКАЗКИ

- Если монитор находится в режиме ожидания входного сигнала и вы нажимаете кнопку POWER на пульте дистанционного управления, монитор переходит в режим ожидания.
- Вы можете включить/выключить монитор, нажав на выключатель питания на передней панели монитора.
- При настройке SCHEDULE <ГРАФИК ВКЛ/ВЫКЛ ПИТАНИЯ> СИД питания мигает в режиме ожидания попеременно красным и оранжевым цветом.

## Настройка даты/времени

- Если требуется ввести время при первом включении монитора, появляется экран настройки даты/времени. Установите дату и время.



1. Нажмите , , или для выбора даты и времени и нажимайте или для изменения числовых значений.
  2. Выберите SET <УСТАНОВИТЬ>, а затем нажимайте .
- Обязательно установите дату и время.
  - Экран настройки даты/времени закрывается автоматически, если в течение 15 секунд не выполняется каких-либо действий. После закрытия экрана настройки даты/времени дату и время можно установить с помощью DATE/TIME SETTING <УСТАНОВКА ДАТЫ/ВРЕМЕНИ> из меню OPTION <ОПЦИЯ>.

## ПОДСКАЗКИ

- Установите дату в формате: "Год/Месяц/День".
- Установите время в 24-часовом формате.
- Часы питаются от внутреннего аккумулятора.
- Если время уже установлено, но при включении питания появляется экран настройки даты/времени, возможно, что внутренний аккумулятор разряжен. Для замены аккумулятора обратитесь к своему местному дилеру SHARP по обслуживанию или в сервисный центр.
- Расчетный срок службы внутреннего аккумулятора: около 5 лет (в зависимости от эксплуатации монитора)
- Поскольку, первый аккумулятор был установлен на заводе, он может разрядиться до расчетного срока.

## Блокировка операций вкл./выкл. питания

Операции вкл./выкл. питания можно заблокировать, чтобы предотвратить случайное отключение питания монитора. Установите ADJUSTMENT LOCK <БЛОКИР. НАСТРОЕК> в меню FUNCTION <ФУНКЦИЯ> в "2". (См. Руководство пользователя.)



**SHARP**<sup>®</sup>  
SHARP CORPORATION

Printed in China  
Imprimé en Chine  
Impreso en China  
Gedruckt in China  
Отпечатано в Китае

0NY42M184305B(1)  
Q41G42M1843 5B